

SAC-3P-MR/BI-1L-Z SCO - Valve connectors



1458570

<https://www.phoenixcontact.com/us/products/1458570>

Please be informed that the data shown in this PDF document is generated from our online catalog. Please find the complete data in the user documentation. Our general terms of use for downloads are valid.



Valve connectors, 3-position, Plug angled M12, coding: A, with 1 LED, Wiring: Z diode, on Valve connector BI (11 mm), with 1 LED, Wiring: Z diode

Commercial data

Item number	1458570
Packing unit	1 pc
Minimum order quantity	1 pc
Sales key	BF10
Product key	BF1GDA
Catalog page	Page 257 (C-2-2019)
GTIN	4046356639026
Weight per piece (including packing)	25.942 g
Weight per piece (excluding packing)	25.4 g
Customs tariff number	85366990
Country of origin	PL

SAC-3P-MR/BI-1L-Z SCO - Valve connectors



1458570

<https://www.phoenixcontact.com/us/products/1458570>

Technical data

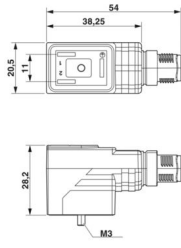
Product properties

Product type	Valve connector adapter
Number of positions	3
No. of cable outlets	1
Coding	A

Insulation characteristics

Overvoltage category	II
Degree of pollution	3

Dimensions

Dimensional drawing	
Width	20 mm
Height	28.2 mm
Length	54 mm

Connection data

Connection method	M12 connector
Tightening torque	0.6 Nm (valve plug)

Electrical properties

Insulation resistance	$\geq 100 \text{ M}\Omega$
Nominal voltage U_N	24 V AC
	24 V DC
Nominal current I_N	4 A
Protective circuit	Z diode

Valve connector characteristics

Fixing screws	M3 x 29
Pulse power	40 W (at 100 μs square-wave pulse)
Terminal voltage	70 V (at 2 mA constant current)
Reverse voltage	50 V

Mechanical properties

Mechanical data

SAC-3P-MR/BI-1L-Z SCO - Valve connectors



1458570

<https://www.phoenixcontact.com/us/products/1458570>

Insertion/withdrawal cycles	50 (valve plug)
	≥ 100 (M12 connector)

Material specifications

Flammability rating according to UL 94	HB
Seal material	TPU
Material housing valve plug	TPU
Contact material	CuSn
Contact surface material	Ni/Au
Contact carrier material	PA 66
Contact material	CuSn
Valve plug contact insert material	PA 6.6
Contact surface material	Sn
Material for screw connection	Zinc die-cast, nickel-plated

Signaling

Status display	Yellow LED
Status display present	Yes

Connector

Connection 1

Type	Plug angled M12
Number of positions	3
Coding type	A

Connection 2

Type	Valve connector BI (11 mm)
Number of positions	3
Material	CuSn (Contact)
	Sn (Contact surface)
	PA 6.6 (Contact carriers)
	TPU (Housing)

Environmental and real-life conditions

Ambient conditions

Degree of protection	IP65
	IP67
Ambient temperature (operation)	-25 °C ... 85 °C (valve plug)

Standards and regulations

M12

Standard designation	M12 connector
Standards/specifications	IEC 61076-2-101

SAC-3P-MR/BI-1L-Z SCO - Valve connectors



1458570

<https://www.phoenixcontact.com/us/products/1458570>

Classifications

ECLASS

ECLASS-11.0	27440105
ECLASS-12.0	27440105
ECLASS-13.0	27440105

ETIM

ETIM 9.0	EC003623
----------	----------

UNSPSC

UNSPSC 21.0	31251500
-------------	----------

SAC-3P-MR/BI-1L-Z SCO - Valve connectors



1458570

<https://www.phoenixcontact.com/us/products/1458570>

Environmental product compliance

China RoHS	Environmentally Friendly Use Period = 50 years For information on hazardous substances, refer to the manufacturer's declaration available under "Downloads"
------------	--

Phoenix Contact 2024 © - all rights reserved
<https://www.phoenixcontact.com>

Phoenix Contact USA
586 Fulling Mill Road
Middletown, PA 17057, United States
(+717) 944-1300
info@phoenixcon.com