

SAC-8PY-M/2XF VP - Y distributor



1454972

<https://www.phoenixcontact.com/us/products/1454972>

Please be informed that the data shown in this PDF document is generated from our online catalog. Please find the complete data in the user documentation. Our general terms of use for downloads are valid.

Y distributor, 8-position, Plug straight M12 SPEEDCON, coding: A, on Socket straight M12 SPEEDCON, coding: A and Socket straight M12 SPEEDCON, coding: A, Parallel distributor



Commercial data

Item number	1454972
Packing unit	5 pc
Minimum order quantity	5 pc
Sales key	BF10
Product key	BF1GAC
Catalog page	Page 253 (C-2-2019)
GTIN	4046356577205
Weight per piece (including packing)	34.36 g
Weight per piece (excluding packing)	34.36 g
Customs tariff number	85366990
Country of origin	PL

SAC-8PY-M/2XF VP - Y distributor

1454972

<https://www.phoenixcontact.com/us/products/1454972>

Technical data

Product properties

Product type	Y-distributor
Number of positions	8
No. of cable outlets	2
Shielded	no
Coding	A
Thread type	M12

Insulation characteristics

Overvoltage category	II
Degree of pollution	3

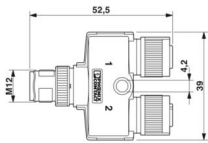
Electrical properties

Insulation resistance	$\geq 100 \text{ M}\Omega$
Nominal voltage U_N	30 V AC
	30 V DC
Nominal current I_N	2 A

Signaling

Status display	No
Status display present	No

Dimensions

Dimensional drawing	
Width	39 mm
Height	16 mm
Length	52.5 mm
Center distance	21 mm

Material specifications

Flammability rating according to UL 94	HB
Seal material	NBR
Material of grip body	TPU, hardly inflammable, self-extinguishing
Contact material	CuZn
Contact surface material	Ni/Au
Contact carrier material	TPU GF
Material for screw connection	Zinc die-cast, nickel-plated

SAC-8PY-M/2XF VP - Y distributor



1454972

<https://www.phoenixcontact.com/us/products/1454972>

Connector

Connection 1

Type	Plug straight M12 SPEEDCON
Locking type	SPEEDCON
Coding type	A

Connection 2

Type	Socket straight M12 SPEEDCON
Locking type	SPEEDCON
Coding type	A

Connection 3

Type	Socket straight M12 SPEEDCON
Locking type	SPEEDCON
Coding type	A

Mechanical properties

Mechanical data

Insertion/withdrawal cycles	≥ 100
-----------------------------	-------

Environmental and real-life conditions

Ambient conditions

Degree of protection	IP65
	IP67
Ambient temperature (operation)	-25 °C ... 90 °C (Plug / socket)

Standards and regulations

M12

Standard designation	M12 connector
Standards/specifications	IEC 61076-2-101

SAC-8PY-M/2XF VP - Y distributor



1454972

<https://www.phoenixcontact.com/us/products/1454972>

Classifications

ECLASS

ECLASS-11.0	27440106
ECLASS-12.0	27440106
ECLASS-13.0	27440106

ETIM

ETIM 9.0	EC002925
----------	----------

UNSPSC

UNSPSC 21.0	31251500
-------------	----------

SAC-8PY-M/2XF VP - Y distributor



1454972

<https://www.phoenixcontact.com/us/products/1454972>

Environmental product compliance

REACH SVHC	Lead 7439-92-1
China RoHS	Environmentally Friendly Use Period = 50 years
	For information on hazardous substances, refer to the manufacturer's declaration available under "Downloads"

Phoenix Contact 2024 © - all rights reserved

<https://www.phoenixcontact.com>

Phoenix Contact USA
586 Fulling Mill Road
Middletown, PA 17057, United States
(+717) 944-1300
info@phoenixcon.com