

# SACC-VB-3CON-M16/A-1L-SV 230V - Valve connectors



1452165

<https://www.phoenixcontact.com/us/products/1452165>

Please be informed that the data shown in this PDF document is generated from our online catalog. Please find the complete data in the user documentation. Our general terms of use for downloads are valid.



Valve connectors, Universal, 3-position, Valve connector A, Screw connection, cable gland M16, external cable diameter 6 mm ... 8 mm

## Commercial data

Item number	1452165
Packing unit	1 pc
Minimum order quantity	1 pc
Sales key	BF36
Product key	BF2DAA
Catalog page	Page 28 (C-2-2019)
GTIN	4046356536332
Weight per piece (including packing)	27.35 g
Weight per piece (excluding packing)	29.2 g
Customs tariff number	85366990
Country of origin	HU

# SACC-VB-3CON-M16/A-1L-SV 230V - Valve connectors

1452165

<https://www.phoenixcontact.com/us/products/1452165>

## Technical data

### Notes

General	<b>NOTE:</b> Observe the permissible bending radii when laying conductors, since the degree of protection may be put in jeopardy if the bending forces are too high. Alleviate mechanical loads upstream of the connector, e.g. by using cable ties.
---------	--

### Product properties

Product type	Valve connectors
Sensor type	Universal
Number of positions	3
No. of cable outlets	1
Shielded	no
Pg screw connection	M16

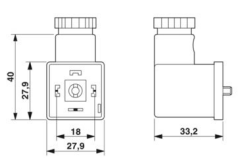
### Insulation characteristics

Overvoltage category	II
Degree of pollution	3

### Material specifications

Flammability rating according to UL 94	HB
Seal material	NBR
Material housing valve plug	PA
Contact material	CuZn
Contact surface material	CuSn

### Dimensions

Dimensional drawing	
Width	27.9 mm
Height	33.2 mm
Length	40 mm

### External dimensions

Outside diameter	6 mm ... 8 mm
------------------	---------------

### Electrical properties

Contact resistance	≤ 4 mΩ
Insulation resistance	> 2 GΩ
Nominal voltage U <sub>N</sub>	230 V AC 230 V DC

# SACC-VB-3CON-M16/A-1L-SV 230V - Valve connectors



1452165

<https://www.phoenixcontact.com/us/products/1452165>

Nominal current $I_N$	1.5 A
Protective circuit	Surge protection; Varistor

## Valve connector characteristics

Fixing screws	M3 x 33,5
---------------	-----------

## Mechanical properties

### Mechanical data

Insertion/withdrawal cycles	50 (Valve connector)
-----------------------------	----------------------

## Signaling

Status display	Yellow LED
Status display present	Yes

## Connection data

Connection method	Screw connection
Conductor cross section	0.25 mm <sup>2</sup> ... 1.5 mm <sup>2</sup>
Connection cross section AWG	24 ... 16
Tightening torque	1.8 Nm ±0.2 Nm (Pressure screw)
	0.4 Nm ±0.1 Nm (Central screw)
	0.2 Nm ±0.1 Nm (Contact screw)

## Connector

### Connection 1

Head design	Valve connector
Head thread type	A

## Environmental and real-life conditions

### Ambient conditions

Degree of protection	IP65
Ambient temperature (operation)	-25 °C ... 60 °C (valve plug)

## Standards and regulations

Standard designation	Valve connector
Standards/specifications	EN 175301-803

# SACC-VB-3CON-M16/A-1L-SV 230V - Valve connectors



1452165

<https://www.phoenixcontact.com/us/products/1452165>

## Classifications

### ECLASS

ECLASS-11.0	27440105
ECLASS-12.0	27440105
ECLASS-13.0	27440105

### ETIM

ETIM 9.0	EC003623
----------	----------

### UNSPSC

UNSPSC 21.0	31251500
-------------	----------

# SACC-VB-3CON-M16/A-1L-SV 230V - Valve connectors



1452165

<https://www.phoenixcontact.com/us/products/1452165>

## Environmental product compliance

REACH SVHC	Lead 7439-92-1
China RoHS	Environmentally Friendly Use Period = 25;
	For information on hazardous substances, refer to the manufacturer's declaration available under "Downloads"

Phoenix Contact 2024 © - all rights reserved

<https://www.phoenixcontact.com>

Phoenix Contact USA  
586 Fulling Mill Road  
Middletown, PA 17057, United States  
(+717) 944-1300  
[info@phoenixcon.com](mailto:info@phoenixcon.com)