

SAC-4P-M12T/2XM12 FF VA - T distributor



1431416

<https://www.phoenixcontact.com/us/products/1431416>

Please be informed that the data shown in this PDF document is generated from our online catalog. Please find the complete data in the user documentation. Our general terms of use for downloads are valid.



T distributor, FOUNDATION Fieldbus, PROFIBUS PA, 4-position, Plug straight M12, coding: A, on Socket straight M12, coding: A and Socket straight M12, coding: A, Parallel distributor

Your advantages

- Safe use in the field, thanks to a high degree of protection

Commercial data

Item number	1431416
Packing unit	5 pc
Minimum order quantity	5 pc
Sales key	BF10
Product key	BF1GAA
Catalog page	Page 436 (C-2-2019)
GTIN	4046356431637
Weight per piece (including packing)	28.5 g
Weight per piece (excluding packing)	27.3 g
Customs tariff number	85366990
Country of origin	DE

SAC-4P-M12T/2XM12 FF VA - T distributor



1431416

<https://www.phoenixcontact.com/us/products/1431416>

Technical data

Notes

General	NOTE: Observe the permissible bending radii when laying conductors, since the degree of protection may be put in jeopardy if the bending forces are too high. Alleviate mechanical loads upstream of the connector, e.g. by using cable ties.
---------	--

Product properties

Product type	T-distributor
Sensor type	FOUNDATION Fieldbus
Number of positions	4
No. of cable outlets	2
Shielded	no
Coding	A
Thread type	M12

Insulation characteristics

Overvoltage category	II
Degree of pollution	3

Electrical properties

Insulation resistance	$\geq 100 \text{ M}\Omega$
Nominal voltage U_N	48 V AC
	60 V DC
Nominal current I_N	4 A

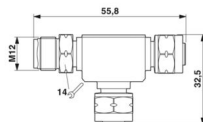
Interfaces

Signal type/category	FOUNDATION Fieldbus
	PROFIBUS PA

Signaling

Status display	No
Status display present	No

Dimensions

Dimensional drawing	
Width	33 mm
Height	16 mm
Length	55.8 mm

SAC-4P-M12T/2XM12 FF VA - T distributor



1431416

<https://www.phoenixcontact.com/us/products/1431416>

Material specifications

Flammability rating according to UL 94	HB
Seal material	NBR
Material of grip body	TPU, hardly inflammable, self-extinguishing
Contact material	CuZn
Contact surface material	Ni/Au
Contact carrier material	TPU GF
Material for screw connection	Stainless steel

Connector

Connection 1

Type	Plug straight M12
Coding type	A

Connection 2

Type	Socket straight M12
Coding type	A

Connection 3

Type	Socket straight M12
Coding type	A

Cable/line

Signal type/category	FOUNDATION Fieldbus
	PROFIBUS PA

Mechanical properties

Mechanical data

Insertion/withdrawal cycles	≥ 100
-----------------------------	-------

Environmental and real-life conditions

Ambient conditions

Degree of protection	IP65
	IP67
	IP68
	IP69K
Ambient temperature (operation)	-25 °C ... 90 °C (Plug / socket)

Standards and regulations

Standard designation	M12 connector
Standards/specifications	IEC 61076-2-101

SAC-4P-M12T/2XM12 FF VA - T distributor



1431416

<https://www.phoenixcontact.com/us/products/1431416>

Classifications

ECLASS

ECLASS-11.0	27440106
ECLASS-12.0	27440106
ECLASS-13.0	27440106

ETIM

ETIM 9.0	EC002925
----------	----------

UNSPSC

UNSPSC 21.0	31251500
-------------	----------

SAC-4P-M12T/2XM12 FF VA - T distributor



1431416

<https://www.phoenixcontact.com/us/products/1431416>

Environmental product compliance

China RoHS	Environmentally friendly use period: unlimited = EFUP-e No hazardous substances above threshold values
------------	---

Phoenix Contact 2024 © - all rights reserved
<https://www.phoenixcontact.com>

Phoenix Contact USA
586 Fulling Mill Road
Middletown, PA 17057, United States
(+717) 944-1300
info@phoenixcon.com