

# VS-08-M12MR-10G-P SCO - Data connector



1417443

<https://www.phoenixcontact.com/us/products/1417443>

Please be informed that the data shown in this PDF document is generated from our online catalog. Please find the complete data in the user documentation. Our general terms of use for downloads are valid.

Data connector, Ethernet CAT6<sub>A</sub> (10 Gbps), 8-position, shielded, Plug angled M12 SPEEDCON, coding: X, Piercecon<sup>®</sup> fast connection, knurl material: Zinc die-cast, nickel-plated, external cable diameter 4 mm ... 8 mm



## Your advantages

- Safe use in the field, thanks to a high degree of protection
- Save time, thanks to installation with SPEEDCON fast locking system
- Reliable signal transmission – 360° shielding in environments with electromagnetic interference

## Commercial data

Item number	1417443
Packing unit	1 pc
Minimum order quantity	1 pc
Sales key	BF32
Product key	BF2CHJ
Catalog page	Page 342 (C-2-2019)
GTIN	4046356530712
Weight per piece (including packing)	35.1 g
Weight per piece (excluding packing)	29.34 g
Customs tariff number	85366990
Country of origin	DE

1417443

<https://www.phoenixcontact.com/us/products/1417443>

## Technical data

### Notes

General	<b>NOTE:</b> Observe the permissible bending radii when laying conductors, since the degree of protection may be put in jeopardy if the bending forces are too high. Alleviate mechanical loads upstream of the connector, e.g. by using cable ties.
---------	--

### Mounting

Assembly instructions	The connector pin assignment can be rotated 90° to the cable outlet
-----------------------	---

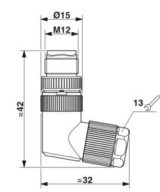
### Product properties

Product type	Circular connector (cable-side)
Sensor type	Ethernet
Number of positions	8
Application	Data
No. of cable outlets	1
Shielded	yes
Coding	X
Cable outlet	angled

### Insulation characteristics

Overvoltage category	II
Degree of pollution	3

### Dimensions

Dimensional drawing	
Length	42 mm
Wrench size, union nut	13 mm

### External dimensions

Outside diameter	4 mm ... 8 mm
------------------	---------------

### Housing

Diameter housing	15 mm
------------------	-------

### Material specifications

Flammability rating according to UL 94	V0
Seal material	NBR
Material of grip body	Zinc die-cast, nickel-plated

# VS-08-M12MR-10G-P SCO - Data connector



1417443

<https://www.phoenixcontact.com/us/products/1417443>

Contact material	CuSn
Contact surface material	Ni/Au
Contact carrier material	PP
Material for screw connection	Zinc die-cast, nickel-plated

## Connection data

### Conductor connection

Connection method	Piercecon <sup>®</sup> fast connection
Connection cross section	0.14 mm <sup>2</sup> ... 0.14 mm <sup>2</sup> (flexible)
Connection cross section AWG	26 (flexible)
Tightening torque	0.4 Nm (M12 knurl)
	2 Nm (Screw plug insert with sleeve housing as far it will go)
	1 Nm (Pressure nut with coupling sleeve)

## Electrical properties

Rated surge voltage	0.8 kV
Contact resistance	≤ 10 mΩ
Insulation resistance	≥ 100 MΩ
Nominal voltage U <sub>N</sub>	48 V AC
	60 V DC
Nominal current I <sub>N</sub>	0.5 A (30 W)

## Mechanical properties

### Mechanical data

Insertion/withdrawal cycles	≥ 100
-----------------------------	-------

## Connector

### Connection 1

Head design	Plug
Head cable outlet	angled
Head thread type	M12
Head locking type	SPEEDCON
Coding	X

## Cable/line

Signal type/category	Ethernet CAT6 <sub>A</sub> (IEC 11801), 10 Gbps
----------------------	---

## Environmental and real-life conditions

### Ambient conditions

Degree of protection	IP65
Ambient temperature (operation)	-40 °C ... 85 °C (Plug / socket)

## Standards and regulations

# VS-08-M12MR-10G-P SCO - Data connector



1417443

<https://www.phoenixcontact.com/us/products/1417443>

Standard designation	M12 connector
Standards/specifications	IEC 61076-2-109

# VS-08-M12MR-10G-P SCO - Data connector



1417443

<https://www.phoenixcontact.com/us/products/1417443>

## Classifications

### ECLASS

ECLASS-11.0	27440102
ECLASS-12.0	27440116
ECLASS-13.0	27440116

### ETIM

ETIM 9.0	EC002635
----------	----------

### UNSPSC

UNSPSC 21.0	39121400
-------------	----------

# VS-08-M12MR-10G-P SCO - Data connector



1417443

<https://www.phoenixcontact.com/us/products/1417443>

## Environmental product compliance

China RoHS	Environmentally friendly use period: unlimited = EFUP-e
	No hazardous substances above threshold values

Phoenix Contact 2024 © - all rights reserved  
<https://www.phoenixcontact.com>

Phoenix Contact USA  
586 Fulling Mill Road  
Middletown, PA 17057, United States  
(+717) 944-1300  
[info@phoenixcon.com](mailto:info@phoenixcon.com)