

# HC-HPR-B16-HHWH-1STM40-EM-BK - Housing



1411884

<https://www.phoenixcontact.com/us/products/1411884>

Please be informed that the data shown in this PDF document is generated from our online catalog. Please find the complete data in the user documentation. Our general terms of use for downloads are valid.



Sleeve housing B16, with screw locking, material: die-cast aluminum, cable outlets: 1, lateral, 1x M40, height: 110.5 mm, cable gland: none, protective cover: no, Railway applications, for increased environmental and EMC requirements, Series HPR

## Your advantages

- Vibration and shock: IEC 61373/EN 50155, category 1, class 1B

## Commercial data

Item number	1411884
Packing unit	1 pc
Minimum order quantity	1 pc
Sales key	BF60
Product key	BF7AAI
Catalog page	Page 628 (C-4-2015)
GTIN	4046356944526
Weight per piece (including packing)	614.6 g
Weight per piece (excluding packing)	614 g
Customs tariff number	85389099
Country of origin	CN

# HC-HPR-B16-HHWH-1STM40-EM-BK - Housing



1411884

<https://www.phoenixcontact.com/us/products/1411884>

## Technical data

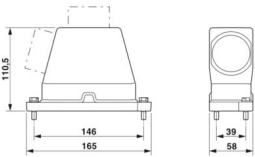
### Notes

General	For contact inserts HC-B16, BB32, BBB40, D40, DD72, HS6, M, K
---------	---

### Product properties

Type	B16
Product type	Housing with screw locking
Product family	HC-HPR-B
Application	Railway applications
No. of cable outlets	1
Type of the screw connection	1x M40
Housing type	Sleeve housing
Protective cover	no
Series	HPR-B16
Cable outlet	lateral
Pg screw connection	none

### Dimensions

Dimensional drawing	
Width	59.2 mm
Height	110.5 mm
Length	166.2 mm

### Material specifications

Housing surface material	Powder-coated, black
Locking latch material	Stainless steel
Impact strength	IK09
Housing material	die-cast aluminum

### Environmental and real-life conditions

#### Ambient conditions

Degree of protection	IP66 IP68 (0.5 bar / 24 h) IP69 (ISO 20653:2013-02)
Impact strength	IK09
Ambient temperature (operation)	-40 °C ... 125 °C

# HC-HPR-B16-HHWH-1STM40-EM-BK - Housing



1411884

<https://www.phoenixcontact.com/us/products/1411884>

## Mechanical properties

### Mechanical data

Type of the screw connection	1x M40
Locking type	Screw

## Mounting

Assembly instructions	M6 locking screw, slotted hexagon head screw (SW10), tightening torque: 4 Nm
-----------------------	---

1411884

<https://www.phoenixcontact.com/us/products/1411884>

## Classifications

### ECLASS

ECLASS-11.0	27440202
ECLASS-12.0	27440202
ECLASS-13.0	27440202

### ETIM

ETIM 9.0	EC000437
----------	----------

### UNSPSC

UNSPSC 21.0	31261500
-------------	----------

1411884

<https://www.phoenixcontact.com/us/products/1411884>

## Environmental product compliance

China RoHS	Environmentally friendly use period: unlimited = EFUP-e No hazardous substances above threshold values
------------	---

Phoenix Contact 2024 © - all rights reserved  
<https://www.phoenixcontact.com>

Phoenix Contact USA  
586 Fulling Mill Road  
Middletown, PA 17057, United States  
(+717) 944-1300  
[info@phoenixcon.com](mailto:info@phoenixcon.com)