

HC-EVO-B24PT-BWSC-HH-M32ELC-AL - Connector set



1411493

<https://www.phoenixcontact.com/us/products/1411493>

Please be informed that the data shown in this PDF document is generated from our online catalog. Please find the complete data in the user documentation. Our general terms of use for downloads are valid.



EVO connector set, B24 series, metal housing, consisting of sleeve housing 1411473, panel mounting base 1411330, EVO screw connection 1411440, pin contact insert 1407736, socket contact insert 1407735

Commercial data

Item number	1411493
Packing unit	1 pc
Minimum order quantity	1 pc
Sales key	BF63
Product key	BF7AFX
Catalog page	Page 637 (C-2-2017)
GTIN	4046356932936
Weight per piece (including packing)	821.6 g
Weight per piece (excluding packing)	824 g
Customs tariff number	85366990
Country of origin	CN

HC-EVO-B24PT-BWSC-HH-M32ELC-AL - Connector set



1411493

<https://www.phoenixcontact.com/us/products/1411493>

Set consists of

HC-B24-I-PT-F - Contact insert

1407735

<https://www.phoenixcontact.com/us/products/1407735>

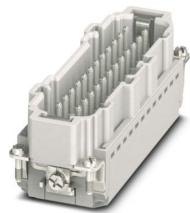


Contact insert, number of positions: 24+PE, size: B24, number of connections per position: 1, Socket, Push-in connection, 500 V, 16 A, 0.14 mm² ... 2.5 mm², application: Power

HC-B24-I-PT-M - Contact insert

1407736

<https://www.phoenixcontact.com/us/products/1407736>



Contact insert, number of positions: 24+PE, size: B24, number of connections per position: 1, Pin, Push-in connection, 500 V, 16 A, 0.14 mm² ... 2.5 mm², application: Power

HC-EVO-B24PT-BWSC-HH-M32ELC-AL - Connector set

1411493

<https://www.phoenixcontact.com/us/products/1411493>

HC-B-G-M32-EC-AL - Cable gland

1411440

<https://www.phoenixcontact.com/us/products/1411440>



EVO EMC cable gland with bayonet locking, B series, size M32, cable diameter: 14□...□21 mm

HC-STA-B24-BWSC-ELC-AL - Housing

1411330

<https://www.phoenixcontact.com/us/products/1411330>



Panel mounting base B24, with single locking latch, material: Die-cast aluminum, salt water resistant, protective cover material: PC, height: 30.5 mm, cable gland: none, protective cover: yes, Standard, with flat gasket

HC-EVO-B24PT-BWSC-HH-M32ELC-AL - Connector set



1411493

<https://www.phoenixcontact.com/us/products/1411493>

HC-EVO-B24-HHFS-EL-AL - Housing

1411473

<https://www.phoenixcontact.com/us/products/1411473>



HEAVYCON EVO sleeve housing, EMC version, without powder coating, with bayonet flange for EVO screw connection, B24, for single locking latch, height: 88 mm, without EVO screw connection.

HC-EVO-B24PT-BWSC-HH-M32ELC-AL - Connector set



1411493

<https://www.phoenixcontact.com/us/products/1411493>

Technical data

Product properties

Type	B24
Product type	Connector set
Number of positions	24
Connection profile	24+PE
No. of cable outlets	1
Housing type	Complete housing
Seal present	yes
Protective cover	yes
Series	HC-B
Cable outlet	straight

Insulation characteristics

Overvoltage category	III
Degree of pollution	3

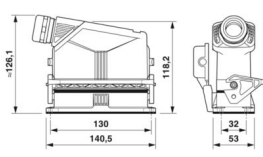
Electrical properties

Rated voltage (III/3)	500 V
Rated surge voltage	6 kV
Rated current	16 A

Connection data

Connection method	Push-in connection
Connection technology	Push-in connection
Conductor cross section	0.14 mm ² ... 2.5 mm ² (with ferrule) 0.14 mm ² ... 2.5 mm ² (with ferrule)
Connection cross section AWG	26 ... 14
Tightening torque	0.5 Nm ... 1.7 Nm (Fixing screws for panel mounting base)
Stripping length	8 mm ... 10 mm

Dimensions

Dimensional drawing	
Width	53 mm
Height	118.5 mm
Length	140.5 mm
Drill hole distance, horizontal	130 mm

HC-EVO-B24PT-BWSC-HH-M32ELC-AL - Connector set



1411493

<https://www.phoenixcontact.com/us/products/1411493>

Drill hole distance, vertical	32 mm
-------------------------------	-------

Installation dimensions

Width of the assembly cutout	35 mm
Length of the assembly cutout	113 mm

Material specifications

Material Housing	Die-cast aluminum, corrosion-resistant
Material Protective cover	PA
Flammability rating according to UL 94	V0
Seal material	NBR NBR
Contact material	Copper alloy
Contact surface material	Ag
Contact carrier material	PA
Locking latch material	PA
Impact strength	IK08

Cable/line

External cable diameter ()	14 mm ... 21 mm
-----------------------------	-----------------

Mechanical properties

Mechanical data

Locking type	Latch
Insertion/withdrawal cycles	≥ 500

Environmental and real-life conditions

Ambient conditions

Degree of protection	IP66 IP67 IP66
Enclosure rating (NEMA)	4 (UL 50e) 4X (UL 50e) 12 (UL 50e)
Impact strength	IK08
Ambient temperature (operation)	-40 °C ... 100 °C

Mounting

Mounting type	Screw mounting
Assembly instructions	Coding also using the CP-HC (1686478) coding profiles. HC-B6.. / HC-B10..for two coding profiles. HC-B16.. / HC-B24..for four coding profiles. Connectors may only be operated when there is no load/the power is switched off. Can be used for solid wires and stranded wires with ferrule.

HC-EVO-B24PT-BWSC-HH-M32ELC-AL - Connector set



1411493

<https://www.phoenixcontact.com/us/products/1411493>

Classifications

ECLASS

ECLASS-11.0	27440101
ECLASS-12.0	27440113
ECLASS-13.0	27440113

ETIM

ETIM 9.0	EC002636
----------	----------

UNSPSC

UNSPSC 21.0	39121400
-------------	----------

HC-EVO-B24PT-BWSC-HH-M32ELC-AL - Connector set



1411493

<https://www.phoenixcontact.com/us/products/1411493>

Environmental product compliance

REACH SVHC	Lead 7439-92-1
China RoHS	Environmentally Friendly Use Period = 50 years
	For information on hazardous substances, refer to the manufacturer's declaration available under "Downloads"

Phoenix Contact 2024 © - all rights reserved

<https://www.phoenixcontact.com>

Phoenix Contact USA
586 Fulling Mill Road
Middletown, PA 17057, United States
(+717) 944-1300
info@phoenixcon.com