

# HC-EVO-B16-HHFS-EL-AL - Housing



1411461

<https://www.phoenixcontact.com/us/products/1411461>

Please be informed that the data shown in this PDF document is generated from our online catalog. Please find the complete data in the user documentation. Our general terms of use for downloads are valid.



HEAVYCON EVO sleeve housing, EMC version, without powder coating, with bayonet flange for EVO screw connection, B16, for single locking latch, height: 88 mm, without EVO screw connection.

## Your advantages

- Flexible cable outlet direction, lateral or straight

## Commercial data

Item number	1411461
Packing unit	1 pc
Minimum order quantity	1 pc
Sales key	BF57
Product key	BF7APM
Catalog page	Page 619 (C-2-2019)
GTIN	4046356932684
Weight per piece (including packing)	228 g
Weight per piece (excluding packing)	224.3 g
Customs tariff number	85389099
Country of origin	DE

# HC-EVO-B16-HHFS-EL-AL - Housing



1411461

<https://www.phoenixcontact.com/us/products/1411461>

## Technical data

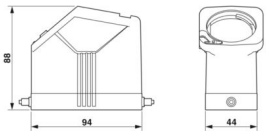
### Notes

General	For contact inserts HC-B16, BB32, D40, DD72, HS6, M, K
---------	--

### Product properties

Type	B16
Product type	Housing with locking latch
Application	Standard
No. of cable outlets	1
Housing type	Sleeve housing
Cable outlet	straight
Pg screw connection	none

### Dimensions

Dimensional drawing	
Width	44 mm
Height	88 mm
Length	94 mm

### Material specifications

Housing surface material	uncoated
Impact strength	IK08
Housing material	Die-cast aluminum, salt water resistant

### Mechanical properties

#### Mechanical data

Locking type	Pin
--------------	-----

### Mounting

Assembly instructions	The sleeve base housing must be supplemented with the EVO screw connection. The EVO screw connection is available in 4 sizes. It enables the creation of a straight or a lateral cable outlet. The EVO screw connection is assembled by hand or using a pipe wrench.
-----------------------	--

### Environmental and real-life conditions

#### Ambient conditions

Degree of protection	IP66
	IP67

# HC-EVO-B16-HHFS-EL-AL - Housing



1411461

<https://www.phoenixcontact.com/us/products/1411461>

Enclosure rating (NEMA)	4 (UL 50e)
	4X (UL 50e)
	12 (UL 50e)
Impact strength	IK08
Ambient temperature (operation)	-40 °C ... 125 °C

# HC-EVO-B16-HHFS-EL-AL - Housing



1411461

<https://www.phoenixcontact.com/us/products/1411461>

## Classifications

### ECLASS

ECLASS-11.0	27440202
ECLASS-12.0	27440202
ECLASS-13.0	27440202

### ETIM

ETIM 9.0	EC000437
----------	----------

### UNSPSC

UNSPSC 21.0	31261500
-------------	----------

# HC-EVO-B16-HHFS-EL-AL - Housing



1411461

<https://www.phoenixcontact.com/us/products/1411461>

## Environmental product compliance

China RoHS	Environmentally friendly use period: unlimited = EFUP-e
	No hazardous substances above threshold values

Phoenix Contact 2024 © - all rights reserved  
<https://www.phoenixcontact.com>

Phoenix Contact USA  
586 Fulling Mill Road  
Middletown, PA 17057, United States  
(+717) 944-1300  
[info@phoenixcon.com](mailto:info@phoenixcon.com)