

QPD T 4PE6,0 2X9-14 BK - T distributor



1411416

<https://www.phoenixcontact.com/us/products/1411416>

Please be informed that the data shown in this PDF document is generated from our online catalog. Please find the complete data in the user documentation. Our general terms of use for downloads are valid.



QUICKON T-distributor, black, 4+PE-pos., 2.5 mm² ... 6.0 mm²/690 V/40 A, for cable diameter of 9 mm ... 14 mm, with two QUICKON nuts

Your advantages

- Innovative and time saving - QUICKON fast connection for time saving of up to 80 % for on-site connection
- Robust throughout: housing with IP68/IP69K and IK07 protection for a wide range of applications
- Safer connection with mechanical coding to protect against mismatching, and touch-proof protection in accordance with DIN EN 0105
- Flexible and compact - by connecting connections internally, H and T-distributors can be used to branch master cables or they can be used as star distributors

Commercial data

Item number	1411416
Packing unit	1 pc
Minimum order quantity	1 pc
Sales key	BF50
Product key	BF6DCC
Catalog page	Page 490 (C-2-2019)
GTIN	4046356932189
Weight per piece (including packing)	366.6 g
Weight per piece (excluding packing)	365.5 g
Customs tariff number	85366990
Country of origin	PL

QPD T 4PE6,0 2X9-14 BK - T distributor



1411416

<https://www.phoenixcontact.com/us/products/1411416>

Technical data

Mounting

Mounting type	direct screw connection
Wrench size	30 mm

Product properties

Type	T distributor
Product type	Power distributor
Product family	QPD
Number of positions	5
Connection profile	4+PE
Position marking	1, 2, 3, N, PE
Number of connections	3
No. of cable outlets	3
Coding	Coding profile

Insulation characteristics

Overvoltage category	III
Degree of pollution	3

Connection data

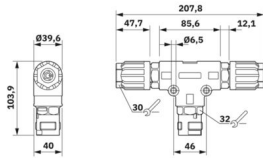
Connection technology

Connection method	IDC connection
Frequency of connections between conductors of the same cross section	max. 10

Conductor connection

Conductor cross section flexibel	2.5 mm ² ... 6 mm ²
Conductor cross section solid	2.5 mm ² ... 6 mm ²
Connection cross section AWG	14 ... 10
Tightening torque Union nut	15 Nm
Wrench size Union nut	30 mm

Dimensions

Dimensional drawing	
Width	103.9 mm
Height	40 mm
Length	207.8 mm

QPD T 4PE6,0 2X9-14 BK - T distributor



1411416

<https://www.phoenixcontact.com/us/products/1411416>

Wrench size for mounting	30 mm
--------------------------	-------

Electrical properties

Rated surge voltage (II/2)	8 kV
Rated surge voltage (III/2)	8 kV
Rated surge voltage (III/3)	6 kV
Rated current	40 A
Contact resistance	< 3 mΩ
rated voltage (II/2)	1000 V
rated voltage (III/2)	1000 V
Rated voltage (III/3)	690 V
Nominal voltage U_N	690 V AC 690 V DC
Nominal current I_N	40 A

Mechanical properties

Mechanical data

Insertion/withdrawal cycles	max. 50
-----------------------------	---------

Material specifications

Color	black (RAL 9005)
Material Housing	PA
Material Contact	Cu
Material Contact surface	Silver-plated
Flammability rating according to UL 94	V0
Material wire insulation	PVC /PE / rubber / TPE

Cable/line

Structure of individual litz in acc. with VDE 0295 / smallest wire diameter	VDE 0295 class 1 to 6/min. 0.15 mm
External cable diameter ()	9 mm ... 14 mm
Wire diameter including insulation	2.95 mm ... 5 mm
Position marking	1, 2, 3, N, PE
Material wire insulation	PVC /PE / rubber / TPE

Environmental and real-life conditions

Ambient conditions

Degree of protection	IP66 IP68 (2 m / 24 h) IP69K
Ambient temperature (operation)	-40 °C ... 100 °C
Temperature when conductor connected	-5 °C ... 50 °C
Ambient temperature (storage/transport)	-40 °C ... 100 °C

1411416

<https://www.phoenixcontact.com/us/products/1411416>

Classifications

ECLASS

ECLASS-11.0	27440603
ECLASS-13.0	27440603
ECLASS-12.0	27440603

ETIM

ETIM 9.0	EC002567
----------	----------

UNSPSC

UNSPSC 21.0	39121400
-------------	----------

QPD T 4PE6,0 2X9-14 BK - T distributor



1411416

<https://www.phoenixcontact.com/us/products/1411416>

Environmental product compliance

China RoHS	Environmentally friendly use period: unlimited = EFUP-e No hazardous substances above threshold values
------------	-----------------------------------------------------------------------------------------------------------

Phoenix Contact 2024 © - all rights reserved
<https://www.phoenixcontact.com>

Phoenix Contact USA
586 Fulling Mill Road
Middletown, PA 17057, United States
(+717) 944-1300
info@phoenixcon.com