

HC-EVO-A10UT-BWSC-HH-M20-PLRBK - Connector set



1411357

<https://www.phoenixcontact.com/us/products/1411357>

Please be informed that the data shown in this PDF document is generated from our online catalog. Please find the complete data in the user documentation. Our general terms of use for downloads are valid.



Connector set, number of positions: 10, material: PA, connection method: Screw connection, connection cross section: AWG 20- 14

Commercial data

Item number	1411357
Packing unit	1 pc
Minimum order quantity	1 pc
Sales key	BF63
Product key	BF7AFX
Catalog page	Page 524 (C-2-2019)
GTIN	4046356929271
Weight per piece (including packing)	277.2 g
Weight per piece (excluding packing)	277.2 g
Customs tariff number	85366990
Country of origin	CN

HC-EVO-A10UT-BWSC-HH-M20-PLRBK - Connector set



1411357

<https://www.phoenixcontact.com/us/products/1411357>

Set consists of

HC-EVO-D15-HHFS-PL-BK - Housing

1411340

<https://www.phoenixcontact.com/us/products/1411340>



Sleeve housing D15, for single locking latch, material: PA, cable outlets: 1, straight/lateral, height: 65.5 mm, cable gland: none, Standard

HC-EVO-D15-BWSC-PLR-BK - Housing

1411337

<https://www.phoenixcontact.com/us/products/1411337>



Panel mounting base D15, with single locking latch, material: PA, protective cover material: PC, height: 26 mm, cable gland: none, protective cover: yes, Standard, with flat gasket

HC-EVO-A10UT-BWSC-HH-M20-PLRBK - Connector set



1411357

<https://www.phoenixcontact.com/us/products/1411357>

HC-D-G-M20-PLRBK - Cable gland

1411350

<https://www.phoenixcontact.com/us/products/1411350>

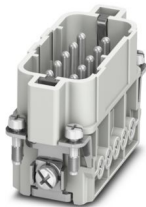


EVO plastic cable gland with bayonet locking, for housing series D, size M20, cable diameter: 7 mm ... 13 mm.

HC-A10-I-UT-M - Contact insert

1585294

<https://www.phoenixcontact.com/us/products/1585294>



Contact insert, number of positions: 10+PE, size: D15, number of connections per position: 1, Pin, Screw connection, 250 V, 16 A, 0.5 mm² ... 2.5 mm²

HC-EVO-A10UT-BWSC-HH-M20-PLRBK - Connector set



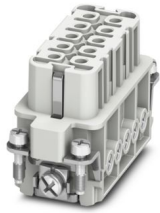
1411357

<https://www.phoenixcontact.com/us/products/1411357>

HC-A10-I-UT-F - Contact insert

1585304

<https://www.phoenixcontact.com/us/products/1585304>



Contact insert, number of positions: 10+PE, size: D15, number of connections per position: 1, Socket, Screw connection, 250 V, 16 A, 0.5 mm² ... 2.5 mm²

HC-EVO-A10UT-BWSC-HH-M20-PLRBK - Connector set



1411357

<https://www.phoenixcontact.com/us/products/1411357>

Technical data

Product properties

Type	D15
Product type	Connector set
Number of positions	10
Connection profile	10+PE
No. of cable outlets	1
Housing type	Complete housing
Protective cover	yes
Series	HC-D

Insulation characteristics

Overvoltage category	III
Degree of pollution	3

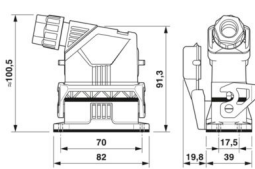
Electrical properties

Rated voltage (III/3)	250 V
Rated surge voltage	4 kV
Rated current	20 A

Connection data

Connection method	Screw connection
Connection technology	Screw connection
Conductor cross section	0.5 mm ² ... 2.5 mm ² (applies to stranded conductors with ferrules) 0.5 mm ² ... 2.5 mm ² (applies to stranded conductors with ferrules)
Connection cross section AWG	20 ... 14

Dimensions

Dimensional drawing	
Width	39 mm
Height	100.5 mm
Length	82 mm
Drill hole distance, horizontal	70 mm
Drill hole distance, vertical	17.5 mm

Installation dimensions

Width of the assembly cutout	24 mm
Length of the assembly cutout	58 mm

HC-EVO-A10UT-BWSC-HH-M20-PLRBK - Connector set



1411357

<https://www.phoenixcontact.com/us/products/1411357>

Material specifications

Material Protective cover	PA
Flammability rating according to UL 94	V0
Seal material	NBR
	CR
Contact material	Copper alloy
Contact surface material	Ag
Contact carrier material	PC
Locking latch material	PA
Housing material	PA

Cable/line

External cable diameter ()	7 mm ... 13 mm
-----------------------------	----------------

Mechanical properties

Mechanical data

Locking type	Latch
--------------	-------

Environmental and real-life conditions

Ambient conditions

Degree of protection	IP66
Enclosure rating (NEMA)	12 (UL 50e)
Ambient temperature (operation)	-40 °C ... 100 °C

Mounting

Assembly instructions	Connectors may only be actuated when there is no load/voltage.
-----------------------	--

HC-EVO-A10UT-BWSC-HH-M20-PLRBK - Connector set



1411357

<https://www.phoenixcontact.com/us/products/1411357>

Classifications

ECLASS

ECLASS-11.0	27440101
ECLASS-12.0	27440113
ECLASS-13.0	27440113

ETIM

ETIM 9.0	EC002636
----------	----------

UNSPSC

UNSPSC 21.0	39121400
-------------	----------

HC-EVO-A10UT-BWSC-HH-M20-PLRBK - Connector set



1411357

<https://www.phoenixcontact.com/us/products/1411357>

Environmental product compliance

REACH SVHC	Lead 7439-92-1
China RoHS	Environmentally Friendly Use Period = 50 years
	For information on hazardous substances, refer to the manufacturer's declaration available under "Downloads"

Phoenix Contact 2024 © - all rights reserved
<https://www.phoenixcontact.com>

Phoenix Contact USA
586 Fulling Mill Road
Middletown, PA 17057, United States
(+717) 944-1300
info@phoenixcon.com