

A-INLE-PG29-N-S - EMC nut

1411281

<https://www.phoenixcontact.com/us/products/1411281>

Please be informed that the data shown in this PDF document is generated from our online catalog. Please find the complete data in the user documentation. Our general terms of use for downloads are valid.

EMC nut, for threads Pg29, color: silver



Commercial data

Item number	1411281
Packing unit	50 pc
Minimum order quantity	50 pc
Sales key	BF68
Product key	BF7DZX
Catalog page	Page 691 (C-2-2019)
GTIN	4046356924122
Weight per piece (including packing)	15.18 g
Weight per piece (excluding packing)	15.18 g
Customs tariff number	74198090
Country of origin	IN

A-INLE-PG29-N-S - EMC nut

1411281

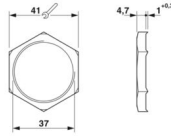
<https://www.phoenixcontact.com/us/products/1411281>

Technical data

Product properties

Product type	Flat nut
Thread type	Pg29

Dimensions

Dimensional drawing	
Length	5.7 mm
Diameter	37 mm
Connecting thread diameter	37 mm
Wrench size, counter nut	41 mm
Hexagon angular dimension	45 mm
Thread type connection side	Pg29

Material specifications

Material	Brass, nickel-plated
----------	----------------------

Cable/line

Halogen-free	yes
--------------	-----

Environmental and real-life conditions

Ambient conditions

Ambient temperature (operation)	-70 °C ... 220 °C
---------------------------------	-------------------

Mounting

Assembly instructions	for EMC cable glands, for removing a non-conductive surface coating
-----------------------	---

A-INLE-PG29-N-S - EMC nut



1411281

<https://www.phoenixcontact.com/us/products/1411281>

Classifications

ECLASS

ECLASS-11.0	27144424
ECLASS-13.0	27140807

ETIM

ETIM 9.0	EC000940
----------	----------

UNSPSC

UNSPSC 21.0	31161700
-------------	----------

A-INLE-PG29-N-S - EMC nut



1411281

<https://www.phoenixcontact.com/us/products/1411281>

Environmental product compliance

REACH SVHC	Lead 7439-92-1
China RoHS	Environmentally Friendly Use Period = 50 years
	For information on hazardous substances, refer to the manufacturer's declaration available under "Downloads"

Phoenix Contact 2024 © - all rights reserved

<https://www.phoenixcontact.com>

Phoenix Contact USA
586 Fulling Mill Road
Middletown, PA 17057, United States
(+717) 944-1300
info@phoenixcon.com