

G-INS-PG9-S68N-NNES-S - Cable gland



1411171

<https://www.phoenixcontact.com/us/products/1411171>

Please be informed that the data shown in this PDF document is generated from our online catalog. Please find the complete data in the user documentation. Our general terms of use for downloads are valid.



Cable gland, material for screw connection: Brass, nickel-plated, external cable diameter 4 mm ..
. 8 mm, shielding: no, connecting thread: Pg9, color: silver, with O-ring

Commercial data

| | |
|--------------------------------------|---------------------|
| Item number | 1411171 |
| Packing unit | 10 pc |
| Minimum order quantity | 10 pc |
| Sales key | BF68 |
| Product key | BF7DAX |
| Catalog page | Page 689 (C-2-2019) |
| GTIN | 4046356923057 |
| Weight per piece (including packing) | 18.265 g |
| Weight per piece (excluding packing) | 17.89 g |
| Customs tariff number | 74198090 |
| Country of origin | TR |

G-INS-PG9-S68N-NNES-S - Cable gland

1411171

<https://www.phoenixcontact.com/us/products/1411171>

Technical data

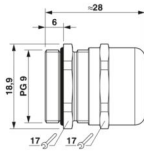
Mounting

| | |
|-----------------------|---|
| Assembly instructions | 1) Mount screw connection support in the housing using the correct torque 2) Insert cable 3) Tighten union nut using the correct torque |
|-----------------------|---|

Product properties

| | |
|--------------------------|-----------------------|
| Product type | Full screw connection |
| No. of conductors | 1 |
| Manufacturer | BIMED |
| Manufacturer Designation | BSBC-02 |
| Shielded | no |

Dimensions

| | |
|---------------------------------|---|
| Dimensional drawing |  |
| Length | 28 mm |
| Length of the connecting thread | 6 mm |
| Hole diameter | 15.3 mm ... 15.4 mm |
| Wrench size, union nut | 17 mm |
| Wrench size, support | 17 mm |
| Hexagon angular dimension | 18.9 mm |
| Thread type connection side | Pg9 |

Connection data

| | |
|-------------------|--|
| Tightening torque | 6 Nm \pm 0.5 Nm (Cap nut) 4 Nm (Support sleeve) |
|-------------------|--|

Material specifications

| | |
|-------------------------------|----------------------|
| Color | Brass |
| Material Compression ring | PA 6 |
| Seal material O-ring | Perbunan |
| Seal material Cable seal | CR |
| Material for screw connection | Brass, nickel-plated |

Cable/line

| | |
|-----------------------------------|------------------------------|
| External cable diameter (Cable 1) | 4 mm ... 8 mm |
| External cable diameter () | 4 mm ... 8 mm (for UL 514 B) |
| Halogen-free | no |

G-INS-PG9-S68N-NNES-S - Cable gland



1411171

<https://www.phoenixcontact.com/us/products/1411171>

Environmental and real-life conditions

Ambient conditions

| | |
|---------------------------------|---------------------------------|
| Degree of protection | IP66 |
| | IP68 (5 bar, 30 min.) |
| | IP69 (DIN EN 60529 / IEC 60529) |
| Enclosure rating (NEMA) | 4X |
| Ambient temperature (operation) | -40 °C ... 100 °C (static) |

G-INS-PG9-S68N-NNES-S - Cable gland



1411171

<https://www.phoenixcontact.com/us/products/1411171>

Classifications

ECLASS

| | |
|-------------|----------|
| ECLASS-11.0 | 27144432 |
| ECLASS-12.0 | 27140801 |
| ECLASS-13.0 | 27140801 |

ETIM

| | |
|----------|----------|
| ETIM 9.0 | EC000441 |
|----------|----------|

UNSPSC

| | |
|-------------|----------|
| UNSPSC 21.0 | 39121300 |
|-------------|----------|

G-INS-PG9-S68N-NNES-S - Cable gland



1411171

<https://www.phoenixcontact.com/us/products/1411171>

Environmental product compliance

| | |
|------------|--|
| REACH SVHC | Lead 7439-92-1 |
| China RoHS | Environmentally Friendly Use Period = 50 years |
| | For information on hazardous substances, refer to the manufacturer's declaration available under "Downloads" |

Phoenix Contact 2024 © - all rights reserved
<https://www.phoenixcontact.com>

Phoenix Contact USA
586 Fulling Mill Road
Middletown, PA 17057, United States
(+717) 944-1300
info@phoenixcon.com