

G-INS-PG7-S68N-NNES-S - Cable gland



1411170

<https://www.phoenixcontact.com/us/products/1411170>

Please be informed that the data shown in this PDF document is generated from our online catalog. Please find the complete data in the user documentation. Our general terms of use for downloads are valid.



Cable gland, material for screw connection: Brass, nickel-plated, external cable diameter 3 mm ..
. 6.5 mm, shielding: no, connecting thread: Pg7, color: silver, with O-ring

Commercial data

Item number	1411170
Packing unit	10 pc
Minimum order quantity	10 pc
Sales key	BF68
Product key	BF7DAX
Catalog page	Page 689 (C-2-2019)
GTIN	4046356923040
Weight per piece (including packing)	13.48 g
Weight per piece (excluding packing)	13.4 g
Customs tariff number	74198090
Country of origin	TR

G-INS-PG7-S68N-NNES-S - Cable gland

1411170

<https://www.phoenixcontact.com/us/products/1411170>

Technical data

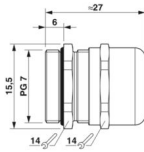
Mounting

Assembly instructions	1) Mount screw connection support in the housing using the correct torque 2) Insert cable 3) Tighten union nut using the correct torque
-----------------------	---

Product properties

Product type	Full screw connection
No. of conductors	1
Manufacturer	BIMED
Manufacturer Designation	BSBC-01
Shielded	no

Dimensions

Dimensional drawing	
Length	27 mm
Length of the connecting thread	6 mm
Hole diameter	12.6 mm ... 12.7 mm
Wrench size, union nut	14 mm
Wrench size, support	14 mm
Hexagon angular dimension	15.5 mm
Thread type connection side	Pg7

Connection data

Tightening torque	5 Nm \pm 0.5 Nm (Cap nut) 3 Nm (Support sleeve)
-------------------	--

Material specifications

Color	Brass
Material Compression ring	PA 6
Seal material O-ring	Perbunan
Seal material Cable seal	CR
Material for screw connection	Brass, nickel-plated

Cable/line

External cable diameter (Cable 1)	3 mm ... 6.5 mm
External cable diameter ()	4 mm ... 6.5 mm (for UL 514 B)
Halogen-free	no

G-INS-PG7-S68N-NNES-S - Cable gland



1411170

<https://www.phoenixcontact.com/us/products/1411170>

Environmental and real-life conditions

Ambient conditions

Degree of protection	IP66
	IP68 (5 bar, 30 min.)
	IP69 (DIN EN 60529 / IEC 60529)
Enclosure rating (NEMA)	4X
Ambient temperature (operation)	-40 °C ... 100 °C (static)

G-INS-PG7-S68N-NNES-S - Cable gland



1411170

<https://www.phoenixcontact.com/us/products/1411170>

Classifications

ECLASS

ECLASS-11.0	27144432
ECLASS-12.0	27140801
ECLASS-13.0	27140801

ETIM

ETIM 9.0	EC000441
----------	----------

UNSPSC

UNSPSC 21.0	39121300
-------------	----------

G-INS-PG7-S68N-NNES-S - Cable gland



1411170

<https://www.phoenixcontact.com/us/products/1411170>

Environmental product compliance

REACH SVHC	Lead 7439-92-1
China RoHS	Environmentally Friendly Use Period = 50 years
	For information on hazardous substances, refer to the manufacturer's declaration available under "Downloads"

Phoenix Contact 2024 © - all rights reserved
<https://www.phoenixcontact.com>

Phoenix Contact USA
586 Fulling Mill Road
Middletown, PA 17057, United States
(+717) 944-1300
info@phoenixcon.com