

HC-KIT-B24-R04 - Connector set

1409778

<https://www.phoenixcontact.com/us/products/1409778>

Please be informed that the data shown in this PDF document is generated from our online catalog. Please find the complete data in the user documentation. Our general terms of use for downloads are valid.



Connector set, consisting of: B24 sleeve housing and panel mounting base, 24-pos. plug and socket insert, M32 cable gland

Commercial data

Item number	1409778
Packing unit	1 pc
Minimum order quantity	1 pc
Sales key	NULL
Product key	BF7AFX
GTIN	4046356752725
Weight per piece (including packing)	717 g
Weight per piece (excluding packing)	717 g
Customs tariff number	85366990
Country of origin	CN

HC-KIT-B24-R04 - Connector set

1409778

<https://www.phoenixcontact.com/us/products/1409778>

Set consists of

G-INS-M32-M68N-NNES-S - Cable gland

1411166

<https://www.phoenixcontact.com/us/products/1411166>



Cable gland, material for screw connection: Brass, nickel-plated, external cable diameter 15 mm ... 21 mm, shielding: no, connecting thread: M32 x 1.5, color: silver, with O-ring

HC-B 24-I-UT-M - Contact insert

1648296

<https://www.phoenixcontact.com/us/products/1648296>



Contact insert, number of positions: 24+PE, size: B24, number of connections per position: 1, Pin, Screw connection, 500 V, 16 A, 0.5 mm² ... 2.5 mm², application: Power

HC-KIT-B24-R04 - Connector set

1409778

<https://www.phoenixcontact.com/us/products/1409778>



HC-STA-B24-HLFD-1STM32-EL-AL - Housing

1412774

<https://www.phoenixcontact.com/us/products/1412774>



Sleeve housing B24, for double locking latch, material: Die-cast aluminum, salt water resistant, cable outlets: 1, lateral, 1x M32, height: 60 mm, cable gland: none, Standard

HC-STA-B24-BWD-ELC-AL - Housing

1411331

<https://www.phoenixcontact.com/us/products/1411331>



HEAVYCON B24 panel mounting base, with double locking latch, with flat gasket, salt-water-resistant aluminum, conductive profile gasket

HC-KIT-B24-R04 - Connector set

1409778

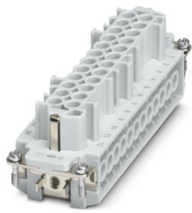
<https://www.phoenixcontact.com/us/products/1409778>



HC-B 24-I-UT-F - Contact insert

1648306

<https://www.phoenixcontact.com/us/products/1648306>



Contact insert, number of positions: 24+PE, size: B24, number of connections per position: 1, Socket, Screw connection, 500 V, 16 A, 0.5 mm² ... 2.5 mm², application: Power

HC-KIT-B24-R04 - Connector set

1409778

<https://www.phoenixcontact.com/us/products/1409778>

Technical data

Product properties

Type	B24
Product type	Connector set
Number of positions	24
Connection profile	24+PE
Application	Power
No. of cable outlets	1
Housing type	Complete housing
Seal present	yes
Protective cover	no
Contact material type	turned
Cable outlet	lateral

Insulation characteristics

Overvoltage category	III
Degree of pollution	3

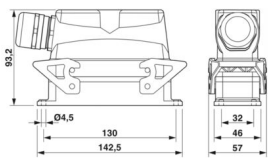
Electrical properties

Rated voltage (III/3)	500 V
Rated surge voltage	6 kV
Rated current	20 A
Nominal voltage U_N	500 V
Nominal current I_N	16 A

Connection data

Connection method	Screw connection
Connection technology	Screw connection
Conductor cross section	0.5 mm ² ... 2.5 mm ² (applies to stranded conductors with ferrules) 0.5 mm ² ... 2.5 mm ² (applies to stranded conductors with ferrules)
Connection cross section AWG	20 ... 14
Tightening torque	0.5 Nm ... 0.8 Nm

Dimensions

Dimensional drawing	
Width	43 mm
Height	92 mm
Length	140 mm

HC-KIT-B24-R04 - Connector set



1409778

<https://www.phoenixcontact.com/us/products/1409778>

Installation dimensions

Width of the assembly cutout	35 mm
Length of the assembly cutout	113 mm

Material specifications

Material Housing	die-cast aluminum
Flammability rating according to UL 94	V0
Contact material	Copper alloy
Contact surface material	Ag
Contact carrier material	PC
Locking latch material	PA
Impact strength	IK09

Cable/line

External cable diameter ()	15 mm ... 21 mm
	17 mm ... 21 mm (for UL 514 B)
External cable diameter	14 mm ... 21 mm

Mechanical properties

Mechanical data

Locking type	Latch
--------------	-------

Environmental and real-life conditions

Ambient conditions

Degree of protection	IP65
Impact strength	IK09
Ambient temperature (operation)	-40 °C ... 100 °C

Mounting

Mounting type	Screw mounting
---------------	----------------

HC-KIT-B24-R04 - Connector set



1409778

<https://www.phoenixcontact.com/us/products/1409778>

Classifications

ECLASS

ECLASS-11.0	27440101
ECLASS-12.0	27440113
ECLASS-13.0	27440113

ETIM

ETIM 9.0	EC002636
----------	----------

UNSPSC

UNSPSC 21.0	39121400
-------------	----------

HC-KIT-B24-R04 - Connector set



1409778

<https://www.phoenixcontact.com/us/products/1409778>

Environmental product compliance

REACH SVHC	Lead 7439-92-1
China RoHS	Environmentally Friendly Use Period = 50 years
	For information on hazardous substances, refer to the manufacturer's declaration available under "Downloads"

Phoenix Contact 2024 © - all rights reserved

<https://www.phoenixcontact.com>

Phoenix Contact USA
586 Fulling Mill Road
Middletown, PA 17057, United States
(+717) 944-1300
info@phoenixcon.com