

# SACC-M12MRS-3PECON-PG11-M - Power connector



1408985

<https://www.phoenixcontact.com/us/products/1408985>

Please be informed that the data shown in this PDF document is generated from our online catalog. Please find the complete data in the user documentation. Our general terms of use for downloads are valid.

Power connector, 4-position, Plug angled M12, coding: S, Screw connection, knurl material: Zinc die-cast, nickel-plated, cable gland Pg11, external cable diameter 8 mm ... 10 mm, for AC current up to 12 A/630 V, Contact 4 leading



## Your advantages

- Safe use in the field, thanks to a high degree of protection
- Screw connection: proven connection technology for a large selection of different conductors
- High-performance: AC connectors for up to 12 A and 630 V AC
- Protection against incorrect connection using special S-coding

## Commercial data

Item number	1408985
Packing unit	1 pc
Minimum order quantity	1 pc
Sales key	BF30
Product key	BF2CAB
Catalog page	Page 279 (C-2-2019)
GTIN	4046356861564
Weight per piece (including packing)	26.85 g
Weight per piece (excluding packing)	26.5 g
Customs tariff number	85366990
Country of origin	DE

## Technical data

### Notes

General	Strip 21 mm off the cable sheath, strip 6 mm off the conductor insulation, crimp the ferrule, then shorten this to 5 mm. Conductor length with shortened ferrule: 20 mm. Connect conductors and tighten the mounting screws with 0.2 Nm.
General	<b>NOTE:</b> Observe the permissible bending radii when laying conductors, since the degree of protection may be put in jeopardy if the bending forces are too high. Alleviate mechanical loads upstream of the connector, e.g. by using cable ties.

### Mounting

Assembly instructions	The connector pin assignment can be rotated 90° to the cable outlet
-----------------------	---

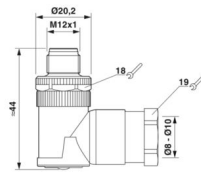
### Product properties

Product type	Circular connector (cable-side)
Number of positions	4
Application	Power supply
No. of cable outlets	1
Shielded	no
Coding	S
Cable outlet	angled
Pg screw connection	Pg11

### Insulation characteristics

Overvoltage category	III
Degree of pollution	3

### Dimensions

Dimensional drawing	
Length	44 mm
Wrench size, union nut	19 mm

### External dimensions

Outside diameter	8 mm ... 10 mm
------------------	----------------

### Housing

Diameter housing	20.2 mm
------------------	---------

### Material specifications

# SACC-M12MRS-3PECON-PG11-M - Power connector



1408985

<https://www.phoenixcontact.com/us/products/1408985>

Flammability rating according to UL 94	V0
Seal material	NBR
Material of grip body	PA
Contact material	CuZn
Contact surface material	Au
Contact carrier material	PA
Material for screw connection	Zinc die-cast, nickel-plated

## Connection data

### Conductor connection

Connection method	Screw connection
Connection cross section	0.75 mm <sup>2</sup> ... 1.5 mm <sup>2</sup> (with ferrule)
	0.75 mm <sup>2</sup> ... 2.5 mm <sup>2</sup> (solid)
Connection cross section AWG	18 ... 16 (with ferrule)
Stripping length of the individual wire	5 mm
Tightening torque	0.4 Nm (M12 knurl)
	1.5 Nm ... 2 Nm (Pressure screw with sleeve housing)
	0.4 Nm (Screw plug insert with sleeve housing as far it will go)
	0.2 Nm (Screw terminal blocks)

## Electrical properties

Rated surge voltage	6 kV
Contact resistance	≤ 3 mΩ
Insulation resistance	> 10 GΩ
Nominal voltage U <sub>N</sub>	630 V AC
Nominal current I <sub>N</sub>	12 A (when using 1.5 mm <sup>2</sup> conductors)
	12 A (at 40 °C)

## Mechanical properties

### Mechanical data

Insertion/withdrawal cycles	> 100
-----------------------------	-------

## Connector

### Connection 1

Head design	Plug
Head cable outlet	angled
Head thread type	M12
Coding	S

## Cable/line

Stripping length of the individual wire	5 mm
---	------

## Environmental and real-life conditions

# SACC-M12MRS-3PECON-PG11-M - Power connector



1408985

<https://www.phoenixcontact.com/us/products/1408985>

## Ambient conditions

Degree of protection	IP67
Ambient temperature (operation)	-40 °C ... 85 °C (Plug / socket)

## Standards and regulations

Standard designation	M12 connector
Standards/specifications	IEC 61076-2-111

1408985

<https://www.phoenixcontact.com/us/products/1408985>

## Classifications

### ECLASS

ECLASS-11.0	27440102
ECLASS-12.0	27440116
ECLASS-13.0	27440116

### ETIM

ETIM 9.0	EC002635
----------	----------

### UNSPSC

UNSPSC 21.0	39121400
-------------	----------

# SACC-M12MRS-3PECON-PG11-M - Power connector



1408985

<https://www.phoenixcontact.com/us/products/1408985>

## Environmental product compliance

REACH SVHC	Lead 7439-92-1
China RoHS	Environmentally Friendly Use Period = 50 years
	For information on hazardous substances, refer to the manufacturer's declaration available under "Downloads"

Phoenix Contact 2024 © - all rights reserved

<https://www.phoenixcontact.com>

Phoenix Contact USA  
586 Fulling Mill Road  
Middletown, PA 17057, United States  
(+717) 944-1300  
[info@phoenixcon.com](mailto:info@phoenixcon.com)