

# HC-COM- 4/2-ESTC - Contact insert



1408504

<https://www.phoenixcontact.com/us/products/1408504>

Please be informed that the data shown in this PDF document is generated from our online catalog. Please find the complete data in the user documentation. Our general terms of use for downloads are valid.



Contact insert, number of positions: 4+2+PE, size: COM, power contacts: 4, control contacts: 2, Pin, Crimp connection, 250 V, 40 A, 0.14 mm<sup>2</sup> ... 2.5 mm<sup>2</sup>, application: Power/signal

## Product description

Contact insert, incl. 4 mounting screws

## Commercial data

Item number	1408504
Packing unit	2 pc
Minimum order quantity	2 pc
Sales key	BF61
Product key	BF7ABH
Catalog page	Page 649 (C-2-2017)
GTIN	4046356618212
Weight per piece (including packing)	21.38 g
Weight per piece (excluding packing)	21 g
Customs tariff number	85389099
Country of origin	CN

# HC-COM- 4/2-ESTC - Contact insert



1408504

<https://www.phoenixcontact.com/us/products/1408504>

## Technical data

### Notes

General	Connectors may be operated only when there is no load/voltage.
General	For CK4,0-ED... (power circuit), CK1,6-ED... (control circuit) crimp contacts

### Mounting

Assembly instructions	To ensure correct use, installation in housing with IP54 protection or better is required
-----------------------	---

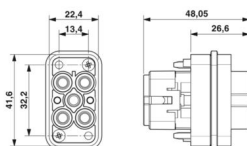
### Product properties

Type	COM
Product type	Contact insert with a fixed no. of positions
Number of positions	6
Connection profile	4+2+PE
Contact numbering	1 - 4 (power contacts) 11 - 12 (control contacts)
Application	Power/signal
No. of power contacts	4
No. of control contacts	2
Contact material type	turned
Series	HC-COM

### Insulation characteristics

Overvoltage category	III
Degree of pollution	3

### Dimensions

Dimensional drawing	
Width	25.6 mm
Height	48.05 mm
Length	45 mm

### Mechanical characteristics

Contact diameter	4 mm
------------------	------

### Connection data

#### Connection technology

Connection technology	Crimp connection (Signal contacts)
-----------------------	------------------------------------

# HC-COM- 4/2-ESTC - Contact insert



1408504

<https://www.phoenixcontact.com/us/products/1408504>

	Crimp connection (power contacts)
Connection in acc. with standard	IEC / EN

## Conductor connection

Conductor cross section	0.14 mm <sup>2</sup> ... 2.5 mm <sup>2</sup> (control contacts)
	1.5 mm <sup>2</sup> ... 6 mm <sup>2</sup> (power contacts)
Connection cross section AWG	16 ... 10 (power contacts)
	26 ... 14 (control contacts)
Stripping length of the individual wire	9 mm (Power 1.5 ... 2.5 mm <sup>2</sup> )
	9.6 mm (Power 4 ... 6 mm <sup>2</sup> )
	8 mm (Signal)
	6 mm (Signal 2.5 mm <sup>2</sup> )

## Electrical properties

Rated voltage (III/3)	250 V (control contacts)
	400 V (Phase-ground power contacts)
	690 V (Phase-phase power contacts)
Rated voltage for power contacts	400/690 V
	250
Rated surge voltage	6 kV (Phase-phase power contacts)
	4 kV (control contacts)
Rated current	40 A (power contacts)
	10 A (control contacts)

## Mechanical properties

### Mechanical data

Insertion/withdrawal cycles	≥ 500
-----------------------------	-------

## Material specifications

Flammability rating according to UL 94	V0
Seal material Profile gasket	NBR
Contact material	Copper alloy
Contact surface material	Ag (alternatively Au)
Contact carrier material	PC
Material of contact surface, power contact	Ag
Material of contact surface, control contact	Ag (alternatively Au)

## Environmental and real-life conditions

### Ambient conditions

Ambient temperature (operation)	-40 °C ... 100 °C (including heating up of contacts)
---------------------------------	--

# HC-COM- 4/2-ESTC - Contact insert



1408504

<https://www.phoenixcontact.com/us/products/1408504>

## Classifications

### ECLASS

ECLASS-11.0	27440205
ECLASS-12.0	27440205
ECLASS-13.0	27440205

### ETIM

ETIM 9.0	EC000438
----------	----------

### UNSPSC

UNSPSC 21.0	39121500
-------------	----------

# HC-COM- 4/2-ESTC - Contact insert



1408504

<https://www.phoenixcontact.com/us/products/1408504>

## Environmental product compliance

China RoHS	Environmentally friendly use period: unlimited = EFUP-e
	No hazardous substances above threshold values

Phoenix Contact 2024 © - all rights reserved  
<https://www.phoenixcontact.com>

Phoenix Contact USA  
586 Fulling Mill Road  
Middletown, PA 17057, United States  
(+717) 944-1300  
[info@phoenixcon.com](mailto:info@phoenixcon.com)