

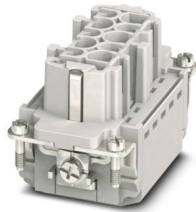
HC-HV03-I-PT-F - Contact insert



1407743

<https://www.phoenixcontact.com/us/products/1407743>

Please be informed that the data shown in this PDF document is generated from our online catalog. Please find the complete data in the user documentation. Our general terms of use for downloads are valid.



Contact insert, number of positions: 3+2+PE, size: B10, power contacts: 3, control contacts: 2, number of connections per position: 1, Socket, Push-in connection, 690 V, 16 A, 0.14 mm² ... 2.5 mm², application: Power

Your advantages

- Easy installation without tools, even when mounted, with push-in connection technology
- Shortest installation time compared to other connection technologies
- Quick and effortless wiring, in particular when space is tight
- Automatic cabling with robots possible
- Safe wiring and operation with color-coded actuators
- Shock and vibration-resistant in accordance with DIN EN 61373
- Cost-effective and fast coding with plastic profiles

Commercial data

| | |
|--------------------------------------|---------------------|
| Item number | 1407743 |
| Packing unit | 1 pc |
| Minimum order quantity | 1 pc |
| Sales key | BF61 |
| Product key | BF7ABG |
| Catalog page | Page 559 (C-2-2019) |
| GTIN | 4046356777483 |
| Weight per piece (including packing) | 56.7 g |
| Weight per piece (excluding packing) | 56.7 g |
| Customs tariff number | 85366990 |
| Country of origin | CN |

HC-HV03-I-PT-F - Contact insert



1407743

<https://www.phoenixcontact.com/us/products/1407743>

Technical data

Notes

| | |
|---------|--|
| General | only use flexible conductors with ferrules |
| General | Connectors may be operated only when there is no load/voltage. |

Mounting

| | |
|-----------------------|---|
| Assembly instructions | To ensure correct use, installation in housing with IP54 protection or better is required |
|-----------------------|---|

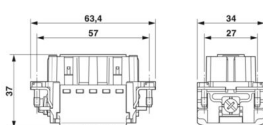
Product properties

| | |
|------------------------------------|--|
| Type | B10 |
| Product type | Contact insert with a fixed no. of positions |
| Number of positions | 5 |
| Connection profile | 3+2+PE |
| Application | Power |
| Number of connections per position | 1 |
| No. of power contacts | 3 |
| No. of control contacts | 2 |
| Series | HC-HV |

Insulation characteristics

| | |
|----------------------|-----|
| Overvoltage category | III |
| Degree of pollution | 3 |

Dimensions

| | |
|---------------------------------|--|
| Dimensional drawing |  |
| Width | 34 mm |
| Height | 34.6 mm |
| Length | 64 mm |
| Drill hole distance, horizontal | 57 mm |

Mechanical characteristics

| | |
|------------------|--------|
| Contact diameter | 2.5 mm |
|------------------|--------|

Connection data

Connection technology

| | |
|------------------------------------|---------------------------------------|
| Connection technology | Push-in connection (power contacts) |
| | Push-in connection (control contacts) |
| Number of connections per position | 1 |

HC-HV03-I-PT-F - Contact insert



1407743

<https://www.phoenixcontact.com/us/products/1407743>

Conductor connection

| | |
|------------------------------|--|
| Conductor cross section | 0.14 mm ² ... 2.5 mm ² (power contacts) |
| | 0.14 mm ² ... 2.5 mm ² (control contacts) |
| Connection cross section AWG | 26 ... 14 (power contacts) |
| | 26 ... 14 (control contacts) |
| Tightening torque | 0.8 Nm ... 1.2 Nm (PE connection) |
| | 0.5 Nm ... 0.8 Nm (Mounting screws for mounting in the HEAVYCON housing) |
| Stripping length | 8 mm ... 10 mm (power contacts) |
| | 8 mm ... 10 mm (control contacts) |

Electrical properties

| | |
|--------------------------------|-------------------------|
| Rated voltage (III/2) contacts | 830 V |
| Rated voltage (III/3) | 690 V |
| Rated surge voltage (III/2) | 8 kV |
| Rated surge voltage (III/3) | 6 kV |
| Rated surge voltage | 8 kV (power contacts) |
| | 6 kV (control contacts) |
| Rated current | 16 A |
| | 16 A |
| SCCR | 5 kA (UL 2237) |

Mechanical properties

Mechanical data

| | |
|-----------------------------|-------|
| Insertion/withdrawal cycles | ≥ 500 |
|-----------------------------|-------|

Material specifications

| | |
|--|---|
| Flammability rating according to UL 94 | V0 |
| Contact material | Copper alloy |
| Contact carrier material | PC |
| Material of contact surface, power contact | Ag |
| Material of contact surface, control contact | Ag |
| Standards/regulations | PC: Fire protection in rail vehicles - requirement sets R22, R23, and R24 acc. to DIN EN 45545-2 (Risk level HL1 - HL3) |

Environmental and real-life conditions

Ambient conditions

| | |
|---------------------------------|--|
| Ambient temperature (operation) | -40 °C ... 125 °C (including heating up of contacts) |
|---------------------------------|--|

Standards and regulations

Testing

| | |
|-----------------------|---|
| Standards/regulations | PC: Fire protection in rail vehicles - requirement sets R22, R23, and R24 acc. to DIN EN 45545-2 (Risk level HL1 - HL3) |
|-----------------------|---|

HC-HV03-I-PT-F - Contact insert



1407743

<https://www.phoenixcontact.com/us/products/1407743>

Classifications

ECLASS

| | |
|-------------|----------|
| ECLASS-11.0 | 27440205 |
| ECLASS-12.0 | 27440205 |
| ECLASS-13.0 | 27440205 |

ETIM

| | |
|----------|----------|
| ETIM 9.0 | EC000438 |
|----------|----------|

UNSPSC

| | |
|-------------|----------|
| UNSPSC 21.0 | 39121500 |
|-------------|----------|

HC-HV03-I-PT-F - Contact insert



1407743

<https://www.phoenixcontact.com/us/products/1407743>

Environmental product compliance

| | |
|------------|---|
| China RoHS | Environmentally friendly use period: unlimited = EFUP-e |
| | No hazardous substances above threshold values |

Phoenix Contact 2024 © - all rights reserved
<https://www.phoenixcontact.com>

Phoenix Contact USA
586 Fulling Mill Road
Middletown, PA 17057, United States
(+717) 944-1300
info@phoenixcon.com