

HC-EVO-B24-BFDC-PLRBK - Housing



1407662

<https://www.phoenixcontact.com/us/products/1407662>

Please be informed that the data shown in this PDF document is generated from our online catalog. Please find the complete data in the user documentation. Our general terms of use for downloads are valid.



Panel mounting base B24, for double locking latch, material: PA, protective cover material: PC, height: 30.5 mm, cable gland: none, protective cover: yes, Standard, with flat gasket

Your advantages

- Lower costs than metal version
- Low weight
- Lower risk of condensation

Commercial data

Item number	1407662
Packing unit	1 pc
Minimum order quantity	1 pc
Sales key	BF57
Product key	BF7APL
Catalog page	Page 640 (C-2-2019)
GTIN	4046356777254
Weight per piece (including packing)	123 g
Weight per piece (excluding packing)	118 g
Customs tariff number	85389099
Country of origin	PL

HC-EVO-B24-BFDC-PLRBK - Housing



1407662

<https://www.phoenixcontact.com/us/products/1407662>

Technical data

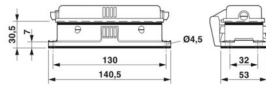
Notes

General	For contact inserts HC-B24, BB46, D64, DD108, M, K, HV10-I-PT, HV 10-E...C
---------	--

Product properties

Type	B24
Product type	Housing with locking latch
Product family	HC-EVO-B
Application	Standard
Housing type	Panel mounting base
Protective cover	yes
Pg screw connection	none

Dimensions

Dimensional drawing	
Width	53 mm
Height	30.5 mm
Length	140.5 mm
Hole diameter	4.5 mm

Installation dimensions

Width of the assembly cutout	35 mm
Length of the assembly cutout	113 mm

Material specifications

Flammability rating according to UL 94	V0 (Housing)
	V0 (Protective cover)
Seal material	NBR
Material, protective cover	PC
Impact strength	IK09
Housing material	PA

Mechanical properties

Mechanical data

Locking type	Pin
--------------	-----

Mounting

Assembly instructions	Not for D series terminal adapters
	Not for HC-B 24-ADP-B..... adapter plates

HC-EVO-B24-BFDC-PLRBK - Housing



1407662

<https://www.phoenixcontact.com/us/products/1407662>

Environmental and real-life conditions

Ambient conditions

Degree of protection	IP66 (when plugged in)
	IP54 (with closed protective cover)
Enclosure rating (NEMA)	12 (UL 50e)
Impact strength	IK09
Ambient temperature (operation)	-40 °C ... 125 °C

HC-EVO-B24-BFDC-PLRBK - Housing



1407662

<https://www.phoenixcontact.com/us/products/1407662>

Classifications

ECLASS

ECLASS-11.0	27440202
ECLASS-12.0	27440202
ECLASS-13.0	27440202

ETIM

ETIM 9.0	EC000437
----------	----------

UNSPSC

UNSPSC 21.0	31261500
-------------	----------

HC-EVO-B24-BFDC-PLRBK - Housing



1407662

<https://www.phoenixcontact.com/us/products/1407662>

Environmental product compliance

China RoHS	Environmentally friendly use period: unlimited = EFUP-e No hazardous substances above threshold values
------------	---

Phoenix Contact 2024 © - all rights reserved
<https://www.phoenixcontact.com>

Phoenix Contact USA
586 Fulling Mill Road
Middletown, PA 17057, United States
(+717) 944-1300
info@phoenixcon.com