

HC-EVO-B06-SHWSC-2SSM32-PLRBK - Housing



1407624

<https://www.phoenixcontact.com/us/products/1407624>

Please be informed that the data shown in this PDF document is generated from our online catalog. Please find the complete data in the user documentation. Our general terms of use for downloads are valid.



Box mounting bases B6, with single locking latch, material: PA, protective cover material: PC, cable outlets: 2, lateral, 2x M32, height: 74 mm, cable gland: none, protective cover: yes, Standard

Product description

One screw connection opening is closed, however can be opened using a screwdriver

Your advantages

- Lower costs than metal version
- Low weight
- Lower risk of condensation

Commercial data

Item number	1407624
Packing unit	1 pc
Minimum order quantity	1 pc
Sales key	BF57
Product key	BF7APL
Catalog page	Page 598 (C-2-2019)
GTIN	4046356776868
Weight per piece (including packing)	158.9 g
Weight per piece (excluding packing)	157.6 g
Customs tariff number	85389099
Country of origin	PL

1407624

<https://www.phoenixcontact.com/us/products/1407624>

Technical data

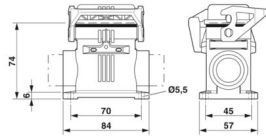
Notes

General	For contact inserts HC-B6, BB10, DD24, M
---------	--

Product properties

Type	B6
Product type	Housing with locking latch
Product family	HC-EVO-B
Application	Standard
No. of cable outlets	2
Type of the screw connection	2x M32
Housing type	Box mounting bases
Protective cover	yes
Cable outlet	lateral
Pg screw connection	none

Dimensions

Dimensional drawing	
Width	57 mm
Height	74 mm
Length	84 mm
Hole diameter	5.5 mm

Material specifications

Flammability rating according to UL 94	V0 (Housing)
	V0 (Interlock)
	V0 (Protective cover)
Seal material	NBR
Material, protective cover	PC
Locking latch material	PA
Impact strength	IK08
Housing material	PA

Mechanical properties

Mechanical data

Type of the screw connection	2x M32
Locking type	Latch

1407624

<https://www.phoenixcontact.com/us/products/1407624>

Mounting

Assembly instructions	One of the two openings for the screw connections is sealed but can be broken open using a screwdriver.
-----------------------	---

Environmental and real-life conditions

Ambient conditions

Degree of protection	IP66 (when plugged in or with locked protective cover)
Enclosure rating (NEMA)	12 (UL 50e)
Impact strength	IK08
Ambient temperature (operation)	-40 °C ... 125 °C

1407624

<https://www.phoenixcontact.com/us/products/1407624>

Classifications

ECLASS

ECLASS-11.0	27440202
ECLASS-12.0	27440202
ECLASS-13.0	27440202

ETIM

ETIM 9.0	EC000437
----------	----------

UNSPSC

UNSPSC 21.0	31261500
-------------	----------

1407624

<https://www.phoenixcontact.com/us/products/1407624>

Environmental product compliance

China RoHS	Environmentally friendly use period: unlimited = EFUP-e No hazardous substances above threshold values
------------	---

Phoenix Contact 2024 © - all rights reserved
<https://www.phoenixcontact.com>

Phoenix Contact USA
586 Fulling Mill Road
Middletown, PA 17057, United States
(+717) 944-1300
info@phoenixcon.com