

# SACC-M 8FR-4CON-M-SW - Connector



1407584

<https://www.phoenixcontact.com/us/products/1407584>

Please be informed that the data shown in this PDF document is generated from our online catalog. Please find the complete data in the user documentation. Our general terms of use for downloads are valid.

Connector, Universal, 4-position, Socket angled M8, coding: A, Screw connection, knurl material: Brass, nickel-plated, external cable diameter 3.5 mm ... 5 mm



## Your advantages

- Safe use in the field, thanks to a high degree of protection
- Screw connection: proven connection technology for a large selection of different conductors

## Commercial data

Item number	1407584
Packing unit	1 pc
Minimum order quantity	1 pc
Sales key	BF30
Product key	BF2BAA
Catalog page	Page 17 (C-2-2019)
GTIN	4046356780049
Weight per piece (including packing)	13.65 g
Weight per piece (excluding packing)	13.65 g
Customs tariff number	85366990
Country of origin	DE

# SACC-M 8FR-4CON-M-SW - Connector



1407584

<https://www.phoenixcontact.com/us/products/1407584>

## Technical data

### Notes

General	<b>NOTE:</b> Observe the permissible bending radii when laying conductors, since the degree of protection may be put in jeopardy if the bending forces are too high. Alleviate mechanical loads upstream of the connector, e.g. by using cable ties.
---------	------------------------------------------------------------------------------------------------------------------------------------------------------------------------------------------------------------------------------------------------------

### Mounting

Assembly instructions	The wires can be connected both with ferrules (without insulation) and without ferrules. The connector pin assignment can be rotated 180° to the cable outlet
-----------------------	------------------------------------------------------------------------------------------------------------------------------------------------------------------

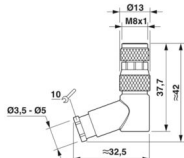
### Product properties

Product type	Circular connector (cable-side)
Sensor type	Universal
Number of positions	4
No. of cable outlets	1
Shielded	no
Coding	A
Cable outlet	angled

### Insulation characteristics

Overvoltage category	III
Degree of pollution	3

### Dimensions

Dimensional drawing	
Width	13 mm
Height	32.5 mm
Length	42 mm

### External dimensions

Outside diameter	3.5 mm ... 5 mm
------------------	-----------------

### Housing

Diameter housing	13 mm
------------------	-------

### Material specifications

Flammability rating according to UL 94	HB
----------------------------------------	----

# SACC-M 8FR-4CON-M-SW - Connector



1407584

<https://www.phoenixcontact.com/us/products/1407584>

Seal material	NBR
Material of grip body	PBT
Contact material	CuZn
Contact surface material	Au
Contact carrier material	PA
Material for screw connection	Brass, nickel-plated

## Connection data

### Conductor connection

Connection method	Screw connection
Connection cross section	0.14 mm <sup>2</sup> ... 0.5 mm <sup>2</sup> (without ferrule)
	0.14 mm <sup>2</sup> ... 0.5 mm <sup>2</sup> (with ferrule)
	0.14 mm <sup>2</sup> ... 0.5 mm <sup>2</sup> (solid)
Connection cross section AWG	26 ... 20 (without ferrule)
Stripping length of the individual wire	4 mm
Tightening torque	0.2 Nm (M8 knurl)
	0.5 Nm (Connector with coupling sleeve)
	0.3 Nm ... 0.4 Nm (Pressure screw for outer cable diameter 3 mm ... 4 mm)
	0.8 Nm ... 1 Nm (Pressure screw in the case of external cable diameter 4 mm ... 5 mm)
	0.1 Nm (Screw terminal blocks)

## Electrical properties

Rated surge voltage	1.5 kV
Contact resistance	≤ 3 mΩ
Insulation resistance	≥ 100 MΩ
Nominal voltage U <sub>N</sub>	30 V AC
	30 V DC
Nominal current I <sub>N</sub>	4 A

## Mechanical properties

### Mechanical data

Insertion/withdrawal cycles	≥ 100
-----------------------------	-------

## Connector

### Connection 1

Head design	Socket
Head cable outlet	angled
Head thread type	M8
Coding	A

## Cable/line

Signal type/category	Universal
----------------------	-----------

# SACC-M 8FR-4CON-M-SW - Connector



1407584

<https://www.phoenixcontact.com/us/products/1407584>

Stripping length of the individual wire	4 mm
-----------------------------------------	------

## Environmental and real-life conditions

### Ambient conditions

Degree of protection	IP67
Ambient temperature (operation)	-40 °C ... 85 °C (Plug / socket)

## Standards and regulations

### M8

Standard designation	M8 connector
Standards/specifications	IEC 61076-2-104

# SACC-M 8FR-4CON-M-SW - Connector



1407584

<https://www.phoenixcontact.com/us/products/1407584>

## Classifications

### ECLASS

ECLASS-11.0	27440102
ECLASS-12.0	27440116
ECLASS-13.0	27440116

### ETIM

ETIM 9.0	EC002635
----------	----------

### UNSPSC

UNSPSC 21.0	39121400
-------------	----------

# SACC-M 8FR-4CON-M-SW - Connector



1407584

<https://www.phoenixcontact.com/us/products/1407584>

## Environmental product compliance

REACH SVHC	Lead 7439-92-1
China RoHS	Environmentally Friendly Use Period = 50 years
	For information on hazardous substances, refer to the manufacturer's declaration available under "Downloads"

Phoenix Contact 2024 © - all rights reserved

<https://www.phoenixcontact.com>

Phoenix Contact USA  
586 Fulling Mill Road  
Middletown, PA 17057, United States  
(+717) 944-1300  
[info@phoenixcon.com](mailto:info@phoenixcon.com)