

# VS-PPC-F1-RJ45-MNNA-1C-FJJ - Panel mounting frames



1405332

<https://www.phoenixcontact.com/us/products/1405332>

Please be informed that the data shown in this PDF document is generated from our online catalog. Please find the complete data in the user documentation. Our general terms of use for downloads are valid.



RJ45 panel mounting frame, IP67, for push-pull interlocking, metal, with the Freenet system, for round panel cutout, with the RJ45 socket/socket socket insert, with seal, without mounting screws

## Commercial data

Item number	1405332
Packing unit	1 pc
Minimum order quantity	1 pc
Sales key	AB17
Product key	ABNODB
GTIN	4046356420433
Weight per piece (including packing)	70.5 g
Weight per piece (excluding packing)	70.44 g
Customs tariff number	85444995
Country of origin	DE

# VS-PPC-F1-RJ45-MNNA-1C-FJJ - Panel mounting frames



1405332

<https://www.phoenixcontact.com/us/products/1405332>

## Technical data

### Notes

General	This product corresponds to the PROFINET Cabling and Interconnection Technology Guideline for PROFINET regulations, version 2.00, order no: 2.252, Chapter 8.2 Connectors for Outside Environment (Balanced cabling) and chapter 13 Application specific Cabling and Interconnection Technology (AIDA)
---------	--

### Product properties

Type	Version 14
Product type	Panel mounting frame
Number of positions	8
Connection profile	RJ45
Application	Freenet system
Number of slots	2
Type	RJ45

### Insulation characteristics

Degree of pollution	2
---------------------	---

### Electrical properties

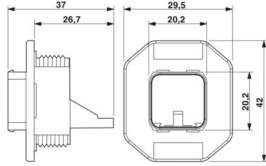
Rated voltage (III/3)	72 V (DC)
Transmission medium	Copper
Transmission characteristics (category)	CAT5 (IEC 11801:2002)

### Connection data

#### Connection technology

Connection method	Push-Pull
-------------------	-----------

### Dimensions

Dimensional drawing	
Width	38 mm
Height	42 mm
Length	68.9 mm

### Material specifications

Color	silver
Material	Metal
Seal material	NBR

# VS-PPC-F1-RJ45-MNNA-1C-FJJ - Panel mounting frames



1405332

<https://www.phoenixcontact.com/us/products/1405332>

Seal material, flat gasket	NBR
Housing surface material	nickel-plated
Contact surface material	Au/Ni
Housing material	Metal

## Mechanical properties

### Mechanical data

Insertion/withdrawal cycles	>= 100
-----------------------------	--------

## Environmental and real-life conditions

### Ambient conditions

Degree of protection	IP65/IP67
Ambient temperature (operation)	-40 °C ... 70 °C

## Mounting

Mounting type	Wall mounting
---------------	---------------

# VS-PPC-F1-RJ45-MNNA-1C-FJJ - Panel mounting frames



1405332

<https://www.phoenixcontact.com/us/products/1405332>

## Classifications

### ECLASS

ECLASS-11.0	27440210
ECLASS-12.0	27440210
ECLASS-13.0	27440210

### ETIM

ETIM 9.0	EC002310
----------	----------

### UNSPSC

UNSPSC 21.0	39121400
-------------	----------

# VS-PPC-F1-RJ45-MNNA-1C-FJJ - Panel mounting frames



1405332

<https://www.phoenixcontact.com/us/products/1405332>

## Environmental product compliance

China RoHS	Environmentally friendly use period: unlimited = EFUP-e
	No hazardous substances above threshold values

Phoenix Contact 2024 © - all rights reserved  
<https://www.phoenixcontact.com>

Phoenix Contact USA  
586 Fulling Mill Road  
Middletown, PA 17057, United States  
(+717) 944-1300  
[info@phoenixcon.com](mailto:info@phoenixcon.com)