

# VS-PPC-F1-RJ45-MNNA-1C-F - Panel mounting frames



1405222

<https://www.phoenixcontact.com/us/products/1405222>

Please be informed that the data shown in this PDF document is generated from our online catalog. Please find the complete data in the user documentation. Our general terms of use for downloads are valid.



RJ45 panel mounting frame, IP67, for push-pull interlocking, metal, with Freenet system, for round mounting cutout, with seal

## Commercial data

Item number	1405222
Packing unit	1 pc
Minimum order quantity	1 pc
Sales key	AB17
Product key	ABNODA
Catalog page	Page 360 (C-2-2019)
GTIN	4046356334792
Weight per piece (including packing)	54 g
Weight per piece (excluding packing)	53.2 g
Customs tariff number	85389099
Country of origin	DE

# VS-PPC-F1-RJ45-MNNA-1C-F - Panel mounting frames



1405222

<https://www.phoenixcontact.com/us/products/1405222>

## Technical data

### Notes

General	This product corresponds to the PROFINET Cabling and Interconnection Technology Guideline for PROFINET regulations, version 2.00, order no: 2.252, Chapter 8.2 Connectors for Outside Environment (Balanced cabling) and chapter 13 Application specific Cabling and Interconnection Technology (AIDA)
---------	--

### Product properties

Type	Version 14
Product type	Panel mounting frame
Connection profile	unassembled
Application	Freenet system
Type	RJ45

### Insulation characteristics

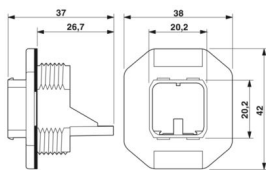
Degree of pollution	2
---------------------	---

### Connection data

#### Connection technology

Connection method	Spring-cage connection
-------------------	------------------------

### Dimensions

Dimensional drawing	
Width	38 mm
Height	42 mm
Length	37 mm

### Material specifications

Color	silver
Material	Metal
Flammability rating according to UL 94	V0
Seal material	NBR
Seal material, flat gasket	NBR
Housing surface material	nickel-plated
Housing material	Metal

### Mechanical properties

# VS-PPC-F1-RJ45-MNNA-1C-F - Panel mounting frames



1405222

<https://www.phoenixcontact.com/us/products/1405222>

## Mechanical data

Insertion/withdrawal cycles	>= 100
-----------------------------	--------

## Environmental and real-life conditions

### Ambient conditions

Degree of protection	IP65/IP67
Ambient temperature (operation)	-40 °C ... 70 °C

## Mounting

Mounting type	Wall mounting
---------------	---------------

# VS-PPC-F1-RJ45-MNNA-1C-F - Panel mounting frames



1405222

<https://www.phoenixcontact.com/us/products/1405222>

## Classifications

### ECLASS

ECLASS-11.0	27440210
ECLASS-12.0	27440210
ECLASS-13.0	27440210

### ETIM

ETIM 9.0	EC002310
----------	----------

### UNSPSC

UNSPSC 21.0	39121400
-------------	----------

# VS-PPC-F1-RJ45-MNNA-1C-F - Panel mounting frames



1405222

<https://www.phoenixcontact.com/us/products/1405222>

## Environmental product compliance

China RoHS	Environmentally friendly use period: unlimited = EFUP-e No hazardous substances above threshold values
------------	---

Phoenix Contact 2024 © - all rights reserved  
<https://www.phoenixcontact.com>

Phoenix Contact USA  
586 Fulling Mill Road  
Middletown, PA 17057, United States  
(+717) 944-1300  
[info@phoenixcon.com](mailto:info@phoenixcon.com)