

SACC-M12FS-12SOL-PG 9-M - Connector



1404420

<https://www.phoenixcontact.com/us/products/1404420>

Please be informed that the data shown in this PDF document is generated from our online catalog. Please find the complete data in the user documentation. Our general terms of use for downloads are valid.



Connector, Universal, 12-position, Socket straight M12, coding: A, Solder connection, knurl material: Zinc die-cast, nickel-plated, cable gland Pg9, external cable diameter 6 mm ... 8 mm

Your advantages

- Safe use in the field, thanks to a high degree of protection
- Save space – with high-pos. connectors

Commercial data

Item number	1404420
Packing unit	1 pc
Minimum order quantity	1 pc
Sales key	BF32
Product key	BF2CGA
Catalog page	Page 26 (C-2-2019)
GTIN	4046356694520
Weight per piece (including packing)	24.3 g
Weight per piece (excluding packing)	24.3 g
Customs tariff number	85366990
Country of origin	DE

SACC-M12FS-12SOL-PG 9-M - Connector



1404420

<https://www.phoenixcontact.com/us/products/1404420>

Technical data

Notes

General	NOTE: Observe the permissible bending radii when laying conductors, since the degree of protection may be put in jeopardy if the bending forces are too high. Alleviate mechanical loads upstream of the connector, e.g. by using cable ties.
---------	--

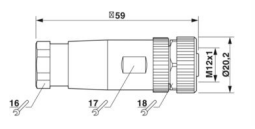
Product properties

Product type	Circular connector (cable-side)
Sensor type	Universal
Number of positions	12
No. of cable outlets	1
Shielded	no
Coding	A
Cable outlet	straight
Pg screw connection	Pg9

Insulation characteristics

Overvoltage category	II
Degree of pollution	3

Dimensions

Dimensional drawing	
Width	20.2 mm
Height	20.2 mm
Length	59 mm

External dimensions

Outside diameter	6 mm ... 8 mm
------------------	---------------

Housing

Diameter housing	20.2 mm
------------------	---------

Material specifications

Flammability rating according to UL 94	HB
Seal material	NBR
Material of grip body	PA
Contact material	CuZn
Contact surface material	Au
Contact carrier material	PA
Material for screw connection	Zinc die-cast, nickel-plated

SACC-M12FS-12SOL-PG 9-M - Connector



1404420

<https://www.phoenixcontact.com/us/products/1404420>

Connection data

Conductor connection

Connection method	Solder connection
Connection cross section	0.08 mm ² ... 0.25 mm ² (without ferrule)
	0.08 mm ² ... 0.25 mm ² (solid)
Connection cross section AWG	28 ... 24 (without ferrule)
Stripping length of the individual wire	4 mm
Tightening torque	0.4 Nm (M12 knurl)
	0.8 Nm ... 1 Nm (Pressure nut with coupling sleeve)

Electrical properties

Rated surge voltage	0.5 kV
Contact resistance	≤ 3 mΩ
Insulation resistance	> 10 GΩ
Nominal voltage U _N	30 V AC
	30 V DC
Nominal current I _N	1.5 A (up to 40 °C)

Mechanical properties

Mechanical data

Insertion/withdrawal cycles	≥ 100
-----------------------------	-------

Connector

Connection 1

Head design	Socket
Head cable outlet	straight
Head thread type	M12
Coding	A

Cable/line

Signal type/category	Universal
Stripping length of the individual wire	4 mm

Environmental and real-life conditions

Ambient conditions

Degree of protection	IP67
Ambient temperature (operation)	-40 °C ... 85 °C (Plug / socket)

Standards and regulations

M12

Standard designation	M12 connector
----------------------	---------------

SACC-M12FS-12SOL-PG 9-M - Connector



1404420

<https://www.phoenixcontact.com/us/products/1404420>

Standards/specifications

IEC 61076-2-101

SACC-M12FS-12SOL-PG 9-M - Connector



1404420

<https://www.phoenixcontact.com/us/products/1404420>

Classifications

ECLASS

ECLASS-11.0	27440102
ECLASS-12.0	27440116
ECLASS-13.0	27440116

ETIM

ETIM 9.0	EC002635
----------	----------

UNSPSC

UNSPSC 21.0	39121400
-------------	----------

SACC-M12FS-12SOL-PG 9-M - Connector



1404420

<https://www.phoenixcontact.com/us/products/1404420>

Environmental product compliance

REACH SVHC	Lead 7439-92-1
China RoHS	Environmentally Friendly Use Period = 50 years
	For information on hazardous substances, refer to the manufacturer's declaration available under "Downloads"

Phoenix Contact 2024 © - all rights reserved

<https://www.phoenixcontact.com>

Phoenix Contact USA
586 Fulling Mill Road
Middletown, PA 17057, United States
(+717) 944-1300
info@phoenixcon.com