

Terminal outlet - VS-TO-RO-MCBK-F1411/1413 - 1404333

Please be informed that the data shown in this PDF Document is generated from our Online Catalog. Please find the complete data in the user's documentation. Our General Terms of Use for Downloads are valid (<http://phoenixcontact.com/download>)


Terminal outlet RJ45/Power IP65/67 Push-Pull, 2 slots version 14, with protective plugs, 2 cable entries



Terminal outlet 1xRJ45; 1xPower



Key Commercial Data

Packing unit	1 pc
GTIN	 4 046356 303156
GTIN	4046356303156
Weight per Piece (excluding packing)	740.000 g
Custom tariff number	85369095
Country of origin	Germany

Technical data

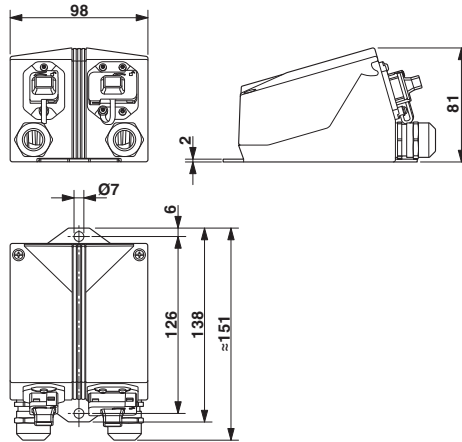
Environmental Product Compliance

REACH SVHC	Lead 7439-92-1
China RoHS	Environmentally Friendly Use Period = 50 years
	For details about hazardous substances go to tab "Downloads", Category "Manufacturer's declaration"

Drawings

Terminal outlet - VS-TO-RO-MCBK-F1411/1413 - 1404333

Dimensional drawing



Terminal outlet 1xRJ45; 1xPower

Classifications

eCl@ss

eCl@ss 10.0.1	27440319
eCl@ss 11.0	27440319
eCl@ss 4.0	27260700
eCl@ss 4.1	27260700
eCl@ss 5.0	27260700
eCl@ss 5.1	27269200
eCl@ss 6.0	27269200
eCl@ss 7.0	27449203
eCl@ss 9.0	27440319

ETIM

ETIM 3.0	EC001121
ETIM 4.0	EC002598
ETIM 6.0	EC001409
ETIM 7.0	EC001409

UNSPSC

UNSPSC 6.01	31261501
UNSPSC 7.0901	31261501
UNSPSC 11	31261501
UNSPSC 12.01	31261501
UNSPSC 13.2	31261501

Terminal outlet - VS-TO-RO-MCBK-F1411/1413 - 1404333

Classifications

UNSPSC

UNSPSC 18.0	43223310
UNSPSC 19.0	43223310
UNSPSC 20.0	43223310
UNSPSC 21.0	43223310

Approvals

Approvals

Approvals

EAC

Ex Approvals

Approval details

EAC		B.01687
-----	---	---------
