

## Terminal outlet - VS-TO-RO-MCBK-F1417/1417 - 1404320

Please be informed that the data shown in this PDF Document is generated from our Online Catalog. Please find the complete data in the user's documentation. Our General Terms of Use for Downloads are valid (<http://phoenixcontact.com/download>)

Terminal outlet SC-RJ IP65/67 Push-Pull, 2 slots version 14, with protective plugs, 2 cable entries




Terminal outlet 2 x SC-RJ

### Your advantages

- ✓ Easy installation, thanks to captive cover screws
- ✓ Robust design
- ✓ Including covers to protect against environmental influences
- ✓ Integrated cable management system
- ✓ For connection of 2 x SC-RJ IP65/67 push-pull connectors



### Key Commercial Data

Packing unit	1 pc
GTIN	 4 046356 305426
GTIN	4046356305426
Weight per Piece (excluding packing)	695.000 g
Custom tariff number	85369095
Country of origin	Germany

### Technical data

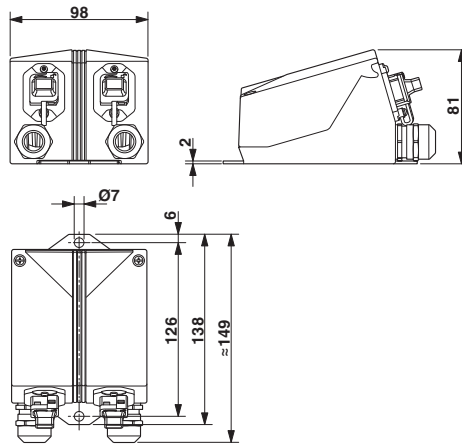
#### Environmental Product Compliance

REACH SVHC	Lead 7439-92-1
China RoHS	Environmentally Friendly Use Period = 50 years
	For details about hazardous substances go to tab "Downloads", Category "Manufacturer's declaration"

# Terminal outlet - VS-TO-RO-MCBK-F1417/1417 - 1404320

## Drawings

Dimensional drawing



Terminal outlet 2 x SC-RJ

## Classifications

eCl@ss

eCl@ss 10.0.1	27440319
eCl@ss 11.0	27440319
eCl@ss 4.0	27260700
eCl@ss 4.1	27260700
eCl@ss 5.0	27260700
eCl@ss 5.1	27269200
eCl@ss 6.0	27269200
eCl@ss 7.0	27449203
eCl@ss 9.0	27440319

ETIM

ETIM 3.0	EC001121
ETIM 4.0	EC002598
ETIM 6.0	EC001409
ETIM 7.0	EC001409

UNSPSC

UNSPSC 6.01	31261501
UNSPSC 7.0901	31261501
UNSPSC 11	31261501

# Terminal outlet - VS-TO-RO-MCBK-F1417/1417 - 1404320

## Classifications

### UNSPSC

UNSPSC 12.01	31261501
UNSPSC 13.2	31261501
UNSPSC 18.0	43223310
UNSPSC 19.0	43223310
UNSPSC 20.0	43223310
UNSPSC 21.0	43223310

## Approvals

### Approvals

---

Approvals

EAC

---

Ex Approvals

---

### Approval details

EAC		B.01687
-----	---	---------

---