

Terminal outlet - VS-TO-RO-MCBK-F1420/1420 - 1404317

Please be informed that the data shown in this PDF Document is generated from our Online Catalog. Please find the complete data in the user's documentation. Our General Terms of Use for Downloads are valid (<http://phoenixcontact.com/download>)



Terminal outlet SC-RJ IP65/67, 2 slots version 6, with protective plugs, 2 cable entries


Terminal outlet 2 x SC-RJ

Your advantages

- ✓ Easy installation, thanks to captive cover screws
- ✓ Robust design
- ✓ Including covers to protect against environmental influences
- ✓ Integrated cable management system
- ✓ For the connection of 2x SC-RJ IP65/67 connectors



Key Commercial Data

Packing unit	1 pc
GTIN	 4 046356 305419
GTIN	4046356305419
Weight per Piece (excluding packing)	700.000 g
Custom tariff number	85369095
Country of origin	Germany

Technical data

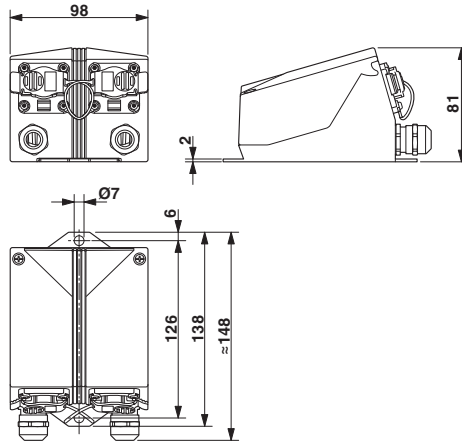
Environmental Product Compliance

China RoHS	Environmentally friendly use period: unlimited = EFUP-e
	No hazardous substances above threshold values

Drawings

Terminal outlet - VS-TO-RO-MCBK-F1420/1420 - 1404317

Dimensional drawing



Terminal outlet 2 x SC-RJ

Classifications

eCl@ss

eCl@ss 10.0.1	27440319
eCl@ss 11.0	27440319
eCl@ss 4.0	27260700
eCl@ss 4.1	27260700
eCl@ss 5.0	27260700
eCl@ss 5.1	27269200
eCl@ss 6.0	27269200
eCl@ss 7.0	27449203
eCl@ss 9.0	27440319

ETIM

ETIM 3.0	EC001121
ETIM 4.0	EC002598
ETIM 6.0	EC001409
ETIM 7.0	EC001409

UNSPSC

UNSPSC 6.01	31261501
UNSPSC 7.0901	31261501
UNSPSC 11	31261501
UNSPSC 12.01	31261501
UNSPSC 13.2	31261501

Terminal outlet - VS-TO-RO-MCBK-F1420/1420 - 1404317

Classifications

UNSPSC

UNSPSC 18.0	43223310
UNSPSC 19.0	43223310
UNSPSC 20.0	43223310
UNSPSC 21.0	43223310

Approvals

Approvals

Approvals

EAC

Ex Approvals

Approval details

EAC		B.01687
-----	---	---------
