

VS-MP-PPC/CG-10G - Coupling



1403678

<https://www.phoenixcontact.com/us/products/1403678>

Please be informed that the data shown in this PDF document is generated from our online catalog. Please find the complete data in the user documentation. Our general terms of use for downloads are valid.



Coupling, design: Version 14, degree of protection: IP65, CAT6_A, material: Metal, connection method: Insulation displacement connection, color: black

Product description

Push/pull data coupling; version 14

Commercial data

Item number	1403678
Packing unit	1 pc
Minimum order quantity	1 pc
Sales key	AB17
Product key	ABNOFB
Catalog page	Page 361 (C-2-2019)
GTIN	4046356664288
Weight per piece (including packing)	278.4 g
Weight per piece (excluding packing)	276.4 g
Customs tariff number	85366990
Country of origin	DE

VS-MP-PPC/CG-10G - Coupling

1403678

<https://www.phoenixcontact.com/us/products/1403678>

Technical data

Product properties

Type	Version 14
Product type	Network distributor box
Connection profile	RJ45
Number of slots	1

Electrical properties

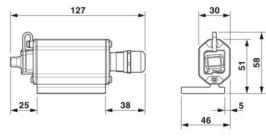
Rated voltage (III/3)	72 V (DC)
Transmission medium	Copper
Transmission characteristics (category)	CAT6 _A

Connection data

Connection technology

Connection method	Insulation displacement connection
-------------------	------------------------------------

Dimensions

Dimensional drawing	
Width	38 mm
Height	51 mm
Length	115 mm

Material specifications

Color	black
Housing material	Metal

Cable/line

External cable diameter	5 mm ... 8 mm (Data cable gland)
-------------------------	----------------------------------

Mechanical properties

Mechanical data

Insertion/withdrawal cycles	> 1000 (Data)
-----------------------------	---------------

Environmental and real-life conditions

Ambient conditions

Degree of protection	IP65
Ambient temperature (operation)	-40 °C ... 70 °C

VS-MP-PPC/CG-10G - Coupling

1403678

<https://www.phoenixcontact.com/us/products/1403678>



Mounting

Mounting type

Screw mounting

VS-MP-PPC/CG-10G - Coupling



1403678

<https://www.phoenixcontact.com/us/products/1403678>

Classifications

ECLASS

ECLASS-11.0	19179090
ECLASS-12.0	19179090
ECLASS-13.0	27061801

ETIM

ETIM 9.0	EC002608
----------	----------

UNSPSC

UNSPSC 21.0	43222600
-------------	----------

VS-MP-PPC/CG-10G - Coupling



1403678

<https://www.phoenixcontact.com/us/products/1403678>

Environmental product compliance

REACH SVHC	Lead 7439-92-1
China RoHS	Environmentally Friendly Use Period = 50 years
	For information on hazardous substances, refer to the manufacturer's declaration available under "Downloads"

Phoenix Contact 2024 © - all rights reserved

<https://www.phoenixcontact.com>

Phoenix Contact USA
586 Fulling Mill Road
Middletown, PA 17057, United States
(+717) 944-1300
info@phoenixcon.com