

NS 35/15 UNPERF 1000MM - DIN rail, unperforated



1207655

<https://www.phoenixcontact.com/us/products/1207655>

Please be informed that the data shown in this PDF document is generated from our online catalog. Please find the complete data in the user documentation. Our general terms of use for downloads are valid.



DIN rail, unperforated, similar to EN 60715, material: Steel, galvanized, passivated with a thick layer, Standard profile, color: silver

Commercial data

Item number	1207655
Packing unit	20 pc
Minimum order quantity	20 pc
Sales key	BH84
Product key	BH8422
Catalog page	Page 530 (C-3-2019)
GTIN	4046356366533
Weight per piece (including packing)	630.45 g
Weight per piece (excluding packing)	630.45 g
Customs tariff number	72166190
Country of origin	DE

NS 35/15 UNPERF 1000MM - DIN rail, unperforated



1207655

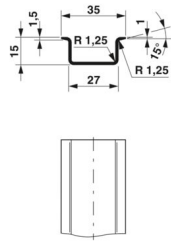
<https://www.phoenixcontact.com/us/products/1207655>

Technical data

Product properties

Product type	DIN rail
--------------	----------

Dimensions

Dimensional drawing	
Width	35 mm
Height	15 mm
Length	1000 mm

Material specifications

Color	silver
Material	Steel
Coating	galvanized, passivated with a thick layer

Standards and regulations

Tests	similar to EN 60715
-------	---------------------

NS 35/15 UNPERF 1000MM - DIN rail, unperforated



1207655

<https://www.phoenixcontact.com/us/products/1207655>

Classifications

ECLASS

ECLASS-11.0	27400602
ECLASS-13.0	27400602
ECLASS-12.0	27400602

ETIM

ETIM 9.0	EC001285
----------	----------

UNSPSC

UNSPSC 21.0	39121700
-------------	----------

NS 35/15 UNPERF 1000MM - DIN rail, unperforated



1207655

<https://www.phoenixcontact.com/us/products/1207655>

Environmental product compliance

China RoHS	Environmentally friendly use period: unlimited = EFUP-e No hazardous substances above threshold values
------------	---

Phoenix Contact 2024 © - all rights reserved
<https://www.phoenixcontact.com>

Phoenix Contact USA
586 Fulling Mill Road
Middletown, PA 17057, United States
(+717) 944-1300
info@phoenixcon.com