

NS 35/15 UNPERF 250MM - DIN rail, unperforated



1207652

<https://www.phoenixcontact.com/us/products/1207652>

Please be informed that the data shown in this PDF document is generated from our online catalog. Please find the complete data in the user documentation. Our general terms of use for downloads are valid.



DIN rail, unperforated, similar to EN 60715, material: Steel, galvanized, passivated with a thick layer, Standard profile, color: silver

Commercial data

Item number	1207652
Packing unit	20 pc
Minimum order quantity	20 pc
Product key	BH8422
GTIN	4046356366519
Weight per piece (including packing)	999 g
Weight per piece (excluding packing)	999 g
Country of origin	DE

NS 35/15 UNPERF 250MM - DIN rail, unperforated



1207652

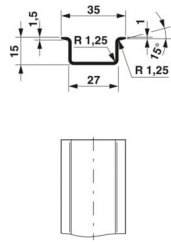
<https://www.phoenixcontact.com/us/products/1207652>

Technical data

Product properties

Product type	DIN rail
--------------	----------

Dimensions

Dimensional drawing	
Width	35 mm
Hole width	0 mm
Height	15 mm
Hole height	0 mm
Length	250 mm
Drill hole spacing	0 mm

Material specifications

Color	silver
Material	Steel
Coating	galvanized, passivated with a thick layer

Standards and regulations

Tests	similar to EN 60715
-------	---------------------

NS 35/15 UNPERF 250MM - DIN rail, unperforated



1207652

<https://www.phoenixcontact.com/us/products/1207652>

Classifications

ECLASS

ECLASS-13.0	27400602
ECLASS-11.0	27400602
ECLASS-12.0	27400602

ETIM

ETIM 9.0	EC001285
----------	----------

UNSPSC

UNSPSC 21.0	39121700
-------------	----------

NS 35/15 UNPERF 250MM - DIN rail, unperforated



1207652

<https://www.phoenixcontact.com/us/products/1207652>

Environmental product compliance

China RoHS	Environmentally friendly use period: unlimited = EFUP-e
	No hazardous substances above threshold values

Phoenix Contact 2024 © - all rights reserved
<https://www.phoenixcontact.com>

Phoenix Contact USA
586 Fulling Mill Road
Middletown, PA 17057, United States
(+717) 944-1300
info@phoenixcon.com