

# TMC 1 F1 100 4,0A - Thermomagnetic device circuit breaker



0914125

<https://www.phoenixcontact.com/us/products/0914125>

Please be informed that the data shown in this PDF document is generated from our online catalog. Please find the complete data in the user documentation. Our general terms of use for downloads are valid.



Thermomagnetic device circuit breaker, number of positions: 1, connection method: Screw connection, cross section: 0.2 mm<sup>2</sup>- 6 mm<sup>2</sup>, AWG: 24 - 10, nominal current: 4 A, fuse type: Automatic device, mounting type: DIN rail: 35 mm

## Commercial data

Item number	0914125
Packing unit	1 pc
Sales key	CL04
Product key	CLA121
Catalog page	Page 282 (CL-2002)
GTIN	4017918008802
Weight per piece (including packing)	68.23 g
Weight per piece (excluding packing)	68.16 g
Customs tariff number	85362010
Country of origin	DE

# TMC 1 F1 100 4,0A - Thermomagnetic device circuit breaker



0914125

<https://www.phoenixcontact.com/us/products/0914125>

## Technical data

### Product properties

Type	DIN rail module, one-piece
Product type	Thermomagnetic device circuit breakers
Product family	TMC
Number of positions	1
Number of connections	4
Number of rows	2
No. of channels	1

### Insulation characteristics

Overvoltage category	II
Degree of pollution	2

### Electrical properties

Fuse type	Automatic device
-----------	------------------

### General

Rated voltage	65 V DC
Rated current $I_N$	4 A
Rated surge voltage	2.5 kV
Insulation resistance $R_{iso}$	> 100 M $\Omega$ (500 V DC)
Auxiliary circuit	240 V AC / 1 A (Low-induction) 65 V AC / 1 A (Low-induction)
Tripping method	TM (thermomagnetic)
Device resistance	0.12 $\Omega$
Rated short-circuit switching capacity $I_{cn}$	2500 A (32 V DC)
Short-circuit switching capacity	2000 A (UL 1077: 65 V DC)
Dielectric strength	3000 V AC (Actuation area) 3000 V AC (Main to auxiliary circuit)
Switching cycles, max.	10000 (At $1 \times I_N$ , inductive)
Fuse	F1 (fast blow)

### Indicator/remote signaling

Connection name	Auxiliary contact
Operating voltage	250 V AC 65 V DC
Operating current	4 A AC (Low-induction)

### Connection data

#### Main contact

Screw thread	M3
Tightening torque	0.6 ... 0.8 Nm

# TMC 1 F1 100 4,0A - Thermomagnetic device circuit breaker



0914125

<https://www.phoenixcontact.com/us/products/0914125>

Stripping length	12 mm
Internal cylindrical gage	A3
Conductor cross section rigid	0.2 mm <sup>2</sup> ... 6 mm <sup>2</sup>
Cross section AWG	24 ... 10 (converted acc. to IEC)
Conductor cross section flexible	0.2 mm <sup>2</sup> ... 4 mm <sup>2</sup>
Conductor cross-section flexible (ferrule without plastic sleeve)	0.25 mm <sup>2</sup> ... 4 mm <sup>2</sup>
Flexible conductor cross section (ferrule with plastic sleeve)	0.25 mm <sup>2</sup> ... 2.5 mm <sup>2</sup>
2 conductors with same cross section, solid	0.2 mm <sup>2</sup> ... 0.75 mm <sup>2</sup>
2 conductors with same cross section, flexible	0.2 mm <sup>2</sup> ... 0.75 mm <sup>2</sup>
2 conductors with same cross section, flexible, with ferrule without plastic sleeve	0.25 mm <sup>2</sup> ... 1 mm <sup>2</sup>
2 conductors with the same cross section, flexible, with TWIN ferrule with plastic sleeve	0.5 mm <sup>2</sup> ... 2.5 mm <sup>2</sup>
Nominal current	4 A

## Auxiliary contact

Screw thread	M3
Tightening torque	0.6 ... 0.8 Nm
Stripping length	12 mm
Internal cylindrical gage	A1
Conductor cross section rigid	0.2 mm <sup>2</sup> ... 2.5 mm <sup>2</sup>
Cross section AWG	24 ... 14 (converted acc. to IEC)
Conductor cross section flexible	0.2 mm <sup>2</sup> ... 1.5 mm <sup>2</sup>
Conductor cross-section flexible (ferrule without plastic sleeve)	0.25 mm <sup>2</sup> ... 2.5 mm <sup>2</sup>
Flexible conductor cross section (ferrule with plastic sleeve)	0.25 mm <sup>2</sup> ... 1.5 mm <sup>2</sup>
2 conductors with same cross section, solid	0.2 m <sup>2</sup> ... 0.75 m <sup>2</sup>
2 conductors with same cross section, flexible	0.2 m <sup>2</sup> ... 0.75 mm <sup>2</sup>
2 conductors with same cross section, flexible, with ferrule without plastic sleeve	0.25 mm <sup>2</sup> ... 0.5 mm <sup>2</sup>
2 conductors with the same cross section, flexible, with TWIN ferrule with plastic sleeve	0.5 mm <sup>2</sup> ... 0.75 mm <sup>2</sup>

## Main contact

Connection method	Screw connection
Screw thread	M3
Tightening torque	0.6 Nm ... 0.8 Nm
Stripping length	12 mm
Conductor cross section flexible	0.2 mm <sup>2</sup> ... 4 mm <sup>2</sup>
Conductor cross section rigid	0.2 mm <sup>2</sup> ... 6 mm <sup>2</sup>
Conductor cross section AWG	24 ... 10
Conductor cross section, flexible, with ferrule, with plastic sleeve	0.25 mm <sup>2</sup> ... 2.5 mm <sup>2</sup>
Conductor cross section flexible, with ferrule without plastic sleeve	0.25 mm <sup>2</sup> ... 4 mm <sup>2</sup>

## Auxiliary contact

Connection method	Screw connection
Screw thread	M3

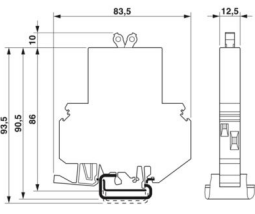
# TMC 1 F1 100 4,0A - Thermomagnetic device circuit breaker

0914125

<https://www.phoenixcontact.com/us/products/0914125>

Tightening torque	0.6 Nm ... 0.8 Nm
Stripping length	12 mm
Conductor cross section flexible	0.2 mm <sup>2</sup> ... 1.5 mm <sup>2</sup>
Conductor cross section rigid	0.2 mm <sup>2</sup> ... 2.5 mm <sup>2</sup>
Conductor cross section AWG	24 ... 14
Conductor cross section, flexible, with ferrule, with plastic sleeve	0.25 mm <sup>2</sup> ... 1.5 mm <sup>2</sup>
Conductor cross section flexible, with ferrule without plastic sleeve	0.25 mm <sup>2</sup> ... 2.5 mm <sup>2</sup>

## Dimensions

Dimensional drawing	
Width	12.5 mm
Height	82.5 mm
Depth	96 mm

## Material specifications

Color	black (RAL 9005)
Flammability rating according to UL 94	V-2
Insulating material group	II
Insulating material	PA66

## Mechanical properties

### Mechanical data

Open side panel	No
-----------------	----

## Environmental and real-life conditions

### Ambient conditions

Degree of protection	IP30 (Actuation area) IP20 (Connection area)
Ambient temperature (operation)	-30 °C ... 60 °C
Humidity test	240 h, 95 % RH, 40 °C

## Standards and regulations

Standards/specifications	EN 60934
Standards/specifications	UL 1077

## Mounting

Mounting type	DIN rail: 35 mm
---------------	-----------------

# TMC 1 F1 100 4,0A - Thermomagnetic device circuit breaker



0914125

<https://www.phoenixcontact.com/us/products/0914125>

## Classifications

### ECLASS

ECLASS-11.0	27141116
ECLASS-12.0	27141116
ECLASS-13.0	27140401

### ETIM

ETIM 9.0	EC000899
----------	----------

### UNSPSC

UNSPSC 21.0	39121400
-------------	----------

# TMC 1 F1 100 4,0A - Thermomagnetic device circuit breaker



0914125

<https://www.phoenixcontact.com/us/products/0914125>

## Environmental product compliance

REACH SVHC	Lead 7439-92-1
China RoHS	Environmentally Friendly Use Period = 25;
	For information on hazardous substances, refer to the manufacturer's declaration available under "Downloads"

Phoenix Contact 2024 © - all rights reserved

<https://www.phoenixcontact.com>

Phoenix Contact USA  
586 Fulling Mill Road  
Middletown, PA 17057, United States  
(+717) 944-1300  
[info@phoenixcon.com](mailto:info@phoenixcon.com)