

# ZKS M6X12 SW 3,0 - Screw

0807025

<https://www.phoenixcontact.com/us/products/0807025>

Please be informed that the data shown in this PDF document is generated from our online catalog. Please find the complete data in the user documentation. Our general terms of use for downloads are valid.

Pan head screw, for fixing DIN rails, extra-flat screw head, with hexagonal socket head, WAF 3



## Commercial data

Item number	0807025
Packing unit	100 pc
Minimum order quantity	100 pc
Sales key	BE07
Product key	BE711Z
GTIN	4017918138769
Weight per piece (including packing)	2.592 g
Weight per piece (excluding packing)	2.43 g
Customs tariff number	73181552
Country of origin	DE

# ZKS M6X12 SW 3,0 - Screw

0807025

<https://www.phoenixcontact.com/us/products/0807025>

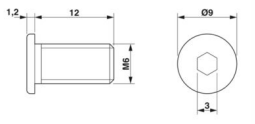


## Technical data

### Product properties

Product type	Mounting material
--------------	-------------------

### Dimensions

Dimensional drawing	
Width	9 mm
Height	12.8 mm
Length	12.8 mm

### Material specifications

Material	Steel
----------	-------

# ZKS M6X12 SW 3,0 - Screw



0807025

<https://www.phoenixcontact.com/us/products/0807025>

## Classifications

### ECLASS

ECLASS-11.0	27141190
ECLASS-12.0	27141190
ECLASS-13.0	27141190

### ETIM

ETIM 9.0	EC002848
----------	----------

### UNSPSC

UNSPSC 21.0	39121400
-------------	----------

# ZKS M6X12 SW 3,0 - Screw

0807025

<https://www.phoenixcontact.com/us/products/0807025>



## Environmental product compliance

REACH SVHC

Lead 7439-92-1

Phoenix Contact 2024 © - all rights reserved

<https://www.phoenixcontact.com>

Phoenix Contact USA  
586 Fulling Mill Road  
Middletown, PA 17057, United States  
(+717) 944-1300  
[info@phoenixcon.com](mailto:info@phoenixcon.com)