

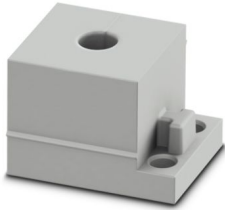
CES-STPG-GY-9 - Cable sleeve



0801680

<https://www.phoenixcontact.com/us/products/0801680>

Please be informed that the data shown in this PDF document is generated from our online catalog. Please find the complete data in the user documentation. Our general terms of use for downloads are valid.



Cable sleeve, small, no. of conductors: 1, type: Round cable, slotted, external cable diameter: 1x 8 mm ... 9 mm, material: SEBS (halogen-free), color: gray, length: 29.5 mm, width: 19.5 mm, height: 17 mm

Product description

Slotted cable sleeve

Commercial data

| | |
|--------------------------------------|---------------------|
| Item number | 0801680 |
| Packing unit | 10 pc |
| Minimum order quantity | 10 pc |
| Sales key | BF67 |
| Product key | BF7CCX |
| Catalog page | Page 680 (C-2-2019) |
| GTIN | 4046356674850 |
| Weight per piece (including packing) | 7 g |
| Weight per piece (excluding packing) | 7 g |
| Customs tariff number | 40169997 |
| Country of origin | PL |

CES-STPG-GY-9 - Cable sleeve

0801680

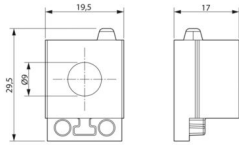
<https://www.phoenixcontact.com/us/products/0801680>

Technical data

Product properties

| | |
|-------------------|--------------|
| Product type | Cable sleeve |
| No. of conductors | 1 |

Dimensions

| | |
|---------------------|--|
| Dimensional drawing |  |
| Width | 19.5 mm |
| Height | 17 mm |
| Length | 29.5 mm |

Material specifications

| | |
|--|------|
| Material | SEBS |
| Flammability rating according to UL 94 | V0 |

Cable/line

| | |
|-----------------------------|------------------|
| External cable diameter () | 1x 8 mm ... 9 mm |
|-----------------------------|------------------|

Characteristics

| | |
|--------------------|-------------|
| Seal size | small |
| Design, Format | Round cable |
| Design, Cable seal | slotted |

Environmental and real-life conditions

Ambient conditions

| | |
|---------------------------------|---------------------------|
| Degree of protection | IP54 |
| Ambient temperature (operation) | -40 °C ... 80 °C (static) |

CES-STPG-GY-9 - Cable sleeve



0801680

<https://www.phoenixcontact.com/us/products/0801680>

Classifications

ECLASS

| | |
|-------------|----------|
| ECLASS-11.0 | 27144425 |
| ECLASS-12.0 | 27144425 |
| ECLASS-13.0 | 27144425 |

ETIM

| | |
|----------|----------|
| ETIM 9.0 | EC000451 |
|----------|----------|

UNSPSC

| | |
|-------------|----------|
| UNSPSC 21.0 | 39121400 |
|-------------|----------|

CES-STPG-GY-9 - Cable sleeve



0801680

<https://www.phoenixcontact.com/us/products/0801680>

Environmental product compliance

| | |
|------------|---|
| China RoHS | Environmentally friendly use period: unlimited = EFUP-e No hazardous substances above threshold values |
|------------|---|

Phoenix Contact 2024 © - all rights reserved
<https://www.phoenixcontact.com>

Phoenix Contact USA
586 Fulling Mill Road
Middletown, PA 17057, United States
(+717) 944-1300
info@phoenixcon.com