

# CES-LRG-BK-24 - Cable sleeve



0801639

<https://www.phoenixcontact.com/us/products/0801639>

Please be informed that the data shown in this PDF document is generated from our online catalog. Please find the complete data in the user documentation. Our general terms of use for downloads are valid.

Cable sleeve, large, no. of conductors: 1, type: Round cable, slotted, external cable diameter: 1x 23 mm ... 24 mm, material: NBR, color: black, length: 53 mm, width: 39 mm, height: 17 mm



## Product description

Slotted cable sleeve Slotted sleeves for accommodating preassembled cables and lines with a diameter of 23 mm ... 24 mm, can be used in CES sealing frames.

## Commercial data

Item number	0801639
Packing unit	10 pc
Minimum order quantity	10 pc
Sales key	BF67
Product key	BF7CCX
Catalog page	Page 678 (C-2-2019)
GTIN	4046356674348
Weight per piece (including packing)	28.44 g
Weight per piece (excluding packing)	28.44 g
Customs tariff number	40169997
Country of origin	TW

# CES-LRG-BK-24 - Cable sleeve

0801639

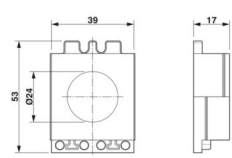
<https://www.phoenixcontact.com/us/products/0801639>

## Technical data

### Product properties

Product type	Cable sleeve
No. of conductors	1

### Dimensions

Dimensional drawing	
Width	39 mm
Height	17 mm
Length	53 mm

### Material specifications

Material	NBR
----------	-----

### Cable/line

External cable diameter ( )	1x 23 mm ... 24 mm
-----------------------------	--------------------

### Characteristics

Seal size	large
Design, Format	Round cable
Design, Cable seal	slotted

### Environmental and real-life conditions

#### Ambient conditions

Degree of protection	IP54
Ambient temperature (operation)	-40 °C ... 125 °C (static)

# CES-LRG-BK-24 - Cable sleeve



0801639

<https://www.phoenixcontact.com/us/products/0801639>

## Classifications

### ECLASS

ECLASS-11.0	27144425
ECLASS-12.0	27144425
ECLASS-13.0	27144425

### ETIM

ETIM 9.0	EC000451
----------	----------

### UNSPSC

UNSPSC 21.0	39121400
-------------	----------

# CES-LRG-BK-24 - Cable sleeve



0801639

<https://www.phoenixcontact.com/us/products/0801639>

## Environmental product compliance

China RoHS	Environmentally friendly use period: unlimited = EFUP-e
	No hazardous substances above threshold values

Phoenix Contact 2024 © - all rights reserved  
<https://www.phoenixcontact.com>

Phoenix Contact USA  
586 Fulling Mill Road  
Middletown, PA 17057, United States  
(+717) 944-1300  
[info@phoenixcon.com](mailto:info@phoenixcon.com)