

# TCP 4A - Thermal device circuit breaker



0712259

<https://www.phoenixcontact.com/us/products/0712259>

Please be informed that the data shown in this PDF document is generated from our online catalog. Please find the complete data in the user documentation. Our general terms of use for downloads are valid.



Thermal miniature circuit breaker, pluggable in screw-type fuse terminal block UK 6-FSI/C and spring-cage fuse terminal block ST 4-FSI/C

## Your advantages

- Fast, replacement part-free recommissioning after an event with the reconnection options
- Easy to retrofit in existing systems with vehicle flat-type fuses with identical pin connector pattern
- System disconnection for maintenance actions via the integrated device switch

## Commercial data

Item number	0712259
Packing unit	20 pc
Minimum order quantity	20 pc
Sales key	CL15
Product key	CLA111
Catalog page	Page 401 (C-4-2019)
GTIN	4017918848385
Weight per piece (including packing)	11.575 g
Weight per piece (excluding packing)	11.12 g
Customs tariff number	85362010
Country of origin	ID

# TCP 4A - Thermal device circuit breaker



0712259

<https://www.phoenixcontact.com/us/products/0712259>

## Technical data

### Notes

General	When mounted in rows, the nominal device current can be limited to just 80% or must be oversized accordingly.
---------	---

### Product properties

Type	Male
Product type	Thermal device circuit breakers
Number of positions	1
No. of channels	1

### Insulation characteristics

Overvoltage category	II
Degree of pollution	2

### Electrical properties

Fuse type	Automatic device
Fuse	Slow-blow

### General

Rated voltage	250 V AC
	65 V DC
	250 V AC (AC according to UL 1077)
	72 V DC (DC according to UL 1077)
Rated current $I_N$	4 A
Rated surge voltage	2.5 kV
Insulation resistance $R_{iso}$	> 100 M $\Omega$ (500 V DC)
Tripping method	T (thermal)
Device resistance	0.07 $\Omega$
Rated short-circuit switching capacity $I_{cn}$	24 A (250 V AC / 65 V DC)
	40 A (30 V DC)
Short-circuit switching capacity	2000 A (250 V AC / UL 1077)
	2000 A (72 V DC / UL 1077)
Dielectric strength	3000 V AC (Actuation area)
	1500 V AC (Installation area)
Switching cycles, max.	6000 (At 1 x $I_n$ , low-induction)
	3000 (At 1 x $I_n$ , inductive)
	500 (At 2 x $I_n$ , inductive)

### Connection data

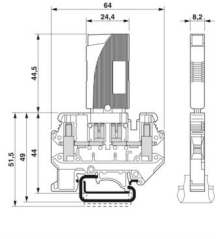
Nominal current	4 A
Nominal voltage	250 V AC
	65 V DC
Connection method	pluggable

# TCP 4A - Thermal device circuit breaker

0712259

<https://www.phoenixcontact.com/us/products/0712259>

## Dimensions

Dimensional drawing	
Width	8.2 mm
Height	24.4 mm
Height NS 35/7,5	55 mm
Depth	44.5 mm

## Material specifications

Color	black (RAL 9005)
Flammability rating according to UL 94	V0
Insulating material group	IIIb
Insulating material	PPS

## Mechanical properties

### Mechanical data

Open side panel	No
-----------------	----

## Environmental and real-life conditions

### Ambient conditions

Degree of protection	IP40 (Actuation area)
Ambient temperature (operation)	-20 °C ... 60 °C
Altitude	4000 m
Humidity test	240 h, 95 % RH, 40 °C

## Standards and regulations

Standards/specifications	EN 60934
--------------------------	----------

## Mounting

Mounting type	on base element
---------------	-----------------

# TCP 4A - Thermal device circuit breaker



0712259

<https://www.phoenixcontact.com/us/products/0712259>

## Classifications

### ECLASS

ECLASS-11.0	27141116
ECLASS-12.0	27141116
ECLASS-13.0	27140401

### ETIM

ETIM 9.0	EC000899
----------	----------

### UNSPSC

UNSPSC 21.0	39121400
-------------	----------

# TCP 4A - Thermal device circuit breaker



0712259

<https://www.phoenixcontact.com/us/products/0712259>

## Environmental product compliance

China RoHS	Environmentally friendly use period: unlimited = EFUP-e No hazardous substances above threshold values
------------	---

Phoenix Contact 2024 © - all rights reserved  
<https://www.phoenixcontact.com>

Phoenix Contact USA  
586 Fulling Mill Road  
Middletown, PA 17057, United States  
(+717) 944-1300  
[info@phoenixcon.com](mailto:info@phoenixcon.com)