

VDFK 4-DP - Panel feed-through terminal block



0708360

<https://www.phoenixcontact.com/us/products/0708360>

Please be informed that the data shown in this PDF document is generated from our online catalog. Please find the complete data in the user documentation. Our general terms of use for downloads are valid.



Panel feed-through terminal block, connection method: Screw connection with tension sleeve, Solder connection, number of positions: 1, load current: 32 A, cross section: 0.2 mm² - 6 mm², AWG 24 - 10, connection direction of the conductor to plug-in direction: 0 °, width: 10 mm

Your advantages

- Well-known connection principle allows worldwide use
- Low temperature rise, thanks to maximum contact force

Commercial data

| | |
|--------------------------------------|---------------------|
| Item number | 0708360 |
| Packing unit | 50 pc |
| Minimum order quantity | 50 pc |
| Sales key | AA28 |
| Product key | AA1ACB |
| Catalog page | Page 643 (C-1-2013) |
| GTIN | 4017918004637 |
| Weight per piece (including packing) | 4.328 g |
| Weight per piece (excluding packing) | 4.27 g |
| Customs tariff number | 85369010 |
| Country of origin | PL |

VDFK 4-DP - Panel feed-through terminal block



0708360

<https://www.phoenixcontact.com/us/products/0708360>

Technical data

Product properties

| | |
|-----------------------|-----------------------------------|
| Product type | Panel feed-through terminal block |
| Product family | VDFK 4 |
| Number of positions | 1 |
| Pitch | 10 mm |
| Number of connections | 2 |
| Number of rows | 1 |

Insulation characteristics

| | |
|----------------------|-----|
| Overvoltage category | III |
| Degree of pollution | 3 |

Electrical properties

| | |
|-----------------------------|-------|
| Nominal current I_N | 32 A |
| Nominal voltage U_N | 500 V |
| Degree of pollution | 3 |
| Rated voltage (III/3) | 500 V |
| Rated surge voltage (III/3) | 6 kV |

Connection data

Connection technology

| | |
|-----------------------|-------------------|
| Connector system | VDFK 4 |
| Nominal cross section | 4 mm ² |

Conductor connection exterior

| | |
|---|--|
| Connection method | Screw connection with tension sleeve |
| Connection direction of the conductor to plug-in direction | 0 ° |
| Conductor cross section rigid | 0.2 mm ² ... 6 mm ² |
| Conductor cross section flexible | 0.2 mm ² ... 4 mm ² |
| Conductor cross section AWG | 24 ... 10 |
| Conductor cross section flexible, with ferrule without plastic sleeve | 0.25 mm ² ... 4 mm ² |
| Conductor cross section, flexible, with ferrule, with plastic sleeve | 0.25 mm ² ... 4 mm ² |
| 2 conductors with same cross section, solid | 0.2 mm ² ... 1.5 mm ² |
| 2 conductors with same cross section, flexible | 0.2 mm ² ... 1.5 mm ² |
| 2 conductors with same cross section, flexible, with ferrule without plastic sleeve | 0.25 mm ² ... 1.5 mm ² |
| 2 conductors with the same cross section, flexible, with TWIN ferrule with plastic sleeve | 0.5 mm ² ... 2.5 mm ² |
| Internal cylindrical gage | A4 |
| Stripping length | 8 mm |
| Tightening torque | 0.6 Nm ... 0.8 Nm |

VDFK 4-DP - Panel feed-through terminal block



0708360

<https://www.phoenixcontact.com/us/products/0708360>

Conductor connection interior

| | |
|--|-------------------|
| Connection method | Solder connection |
| Connection direction of the conductor to plug-in direction | 0 ° |

Mounting

| | |
|-----------------|---------------|
| Plate thickness | 4 mm ... 8 mm |
|-----------------|---------------|

Material specifications

Material data - contact

| | |
|-------------------------|--|
| Note | WEEE/RoHS-compliant, free of whiskers according to IEC 60068-2-82/JEDEC JESD 201 |
| Contact material | Cu alloy |
| Surface characteristics | tin-plated |

Material data - housing

| | |
|---|-------------|
| Color (Housing) | gray (7042) |
| Insulating material | PA |
| Insulating material group | I |
| CTI according to IEC 60112 | 600 |
| Flammability rating according to UL 94 | V0 |
| Glow wire flammability index GWFI according to EN 60695-2-12 | 850 |
| Glow wire ignition temperature GWIT according to EN 60695-2-13 | 775 |
| Temperature for the ball pressure test according to EN 60695-10-2 | 125 °C |

Notes

Safety note

| | |
|-------------|--|
| Safety note | <ul style="list-style-type: none">• WARNING: Only electrically qualified personnel may install and operate the product. They must observe the following safety notes. The qualified personnel must be familiar with the basics of electrical engineering. They must be able to recognize and prevent danger. The relevant symbol on the packaging indicates that only personnel familiar with electrical engineering are allowed to install and operate the product.• The installation notes/Design In documents online on the download page at phoenixcontact.com/products must be observed for this product.• The cable entry funnel is not safe to touch. Never connect or disconnect the terminal when it is energized. Take appropriate steps to ensure touch protection.• To maintain the nominal voltage, cast the terminals on the inside.• There is no electrical contact to the housing. Make sure that protective grounding is provided for green/yellow color variants and articles marked with PE. |
|-------------|--|

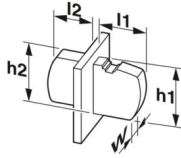
Dimensions

VDFK 4-DP - Panel feed-through terminal block



0708360

<https://www.phoenixcontact.com/us/products/0708360>

| | |
|---------------------|--|
| Dimensional drawing |  |
| Pitch | 10 mm |
| Width [w] | 10 mm |

Electrical tests

Air clearances and creepage distances | 1. Insulation coordination

| | |
|--|----------------------|
| Application | Internal part molded |
| Insulating material group | I |
| Comparative tracking index (IEC 60112) | CTI 600 |
| Rated insulation voltage (III/3) | 500 V |
| Rated surge voltage (III/3) | 6 kV |
| minimum clearance value - non-homogenous field (III/3) | 5.5 mm |
| minimum creepage distance (III/3) | 6.3 mm |

Packaging specifications

| | |
|-------------------|---------------------|
| Type of packaging | packed in cardboard |
|-------------------|---------------------|

VDFK 4-DP - Panel feed-through terminal block



0708360

<https://www.phoenixcontact.com/us/products/0708360>

Classifications

ECLASS

| | |
|-------------|----------|
| ECLASS-11.0 | 27141134 |
| ECLASS-13.0 | 27141134 |
| ECLASS-12.0 | 27141134 |

ETIM

| | |
|----------|----------|
| ETIM 9.0 | EC001283 |
|----------|----------|

UNSPSC

| | |
|-------------|----------|
| UNSPSC 21.0 | 39121400 |
|-------------|----------|

VDFK 4-DP - Panel feed-through terminal block



0708360

<https://www.phoenixcontact.com/us/products/0708360>

Environmental product compliance

| | |
|------------|---|
| China RoHS | Environmentally friendly use period: unlimited = EFUP-e |
| | No hazardous substances above threshold values |

Phoenix Contact 2024 © - all rights reserved
<https://www.phoenixcontact.com>

Phoenix Contact USA
586 Fulling Mill Road
Middletown, PA 17057, United States
(+717) 944-1300
info@phoenixcon.com