

AK 16 - Connection terminal block



0404033

<https://www.phoenixcontact.com/us/products/0404033>

Please be informed that the data shown in this PDF document is generated from our online catalog. Please find the complete data in the user documentation. Our general terms of use for downloads are valid.



Connection terminal block, connection method: Screw connection, Rated cross section: 16 mm², cross section: 1.5 mm² - 16 mm², mounting: Neutral busbar, color: silver

Commercial data

Item number	0404033
Packing unit	50 pc
Minimum order quantity	50 pc
Sales key	BE73
Product key	BE7331
Catalog page	Page 555 (C-3-2019)
GTIN	4017918001858
Weight per piece (including packing)	9.55 g
Weight per piece (excluding packing)	9.51 g
Customs tariff number	85369010
Country of origin	IN

AK 16 - Connection terminal block

0404033

<https://www.phoenixcontact.com/us/products/0404033>

Technical data

Product properties

Product type	Pick-off terminal
Number of connections	1
Number of rows	1

Electrical properties

Maximum load current	76 A (with 16 mm ² conductor cross section)
Maximum power dissipation for nominal condition	2.43 W
Nominal current I _N	76 A
Current carrying capacity of the neutral busbar	140 A

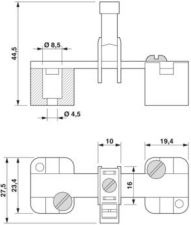
Connection data

Nominal cross section	16 mm ²
Maximum load current	76 A (with 16 mm ² conductor cross section)

Level 1 above 1 below 1

Screw thread	M5
Tightening torque	2.5 ... 3 Nm
Stripping length	16 mm
Conductor cross section rigid	1.5 mm ² ... 16 mm ²
Cross section AWG	14 ... 6 (converted acc. to IEC)
Conductor cross section flexible	1.5 mm ² ... 16 mm ²
Conductor cross section, flexible [AWG]	14 ... 6 (converted acc. to IEC)
2 conductors with same cross section, solid	1.5 mm ² ... 6 mm ²
2 conductors with same cross section, flexible	1.5 mm ² ... 6 mm ²
Nominal cross section	16 mm ²

Dimensions

Dimensional drawing	
Width	9.8 mm
Height	16 mm
Depth	34 mm
Length	16 mm

Material specifications

AK 16 - Connection terminal block



0404033

<https://www.phoenixcontact.com/us/products/0404033>

Color	silver
-------	--------

Mounting

Mounting type	Neutral busbar
---------------	----------------

AK 16 - Connection terminal block



0404033

<https://www.phoenixcontact.com/us/products/0404033>

Classifications

ECLASS

ECLASS-11.0	27141146
ECLASS-12.0	27141146
ECLASS-13.0	27250116

ETIM

ETIM 9.0	EC000001
----------	----------

UNSPSC

UNSPSC 21.0	31162900
-------------	----------

AK 16 - Connection terminal block



0404033

<https://www.phoenixcontact.com/us/products/0404033>

Environmental product compliance

China RoHS	Environmentally friendly use period: unlimited = EFUP-e
	No hazardous substances above threshold values

Phoenix Contact 2024 © - all rights reserved
<https://www.phoenixcontact.com>

Phoenix Contact USA
586 Fulling Mill Road
Middletown, PA 17057, United States
(+717) 944-1300
info@phoenixcon.com