

PSBJ 3,5/18/6 GN - Test plug strip

0311359

<https://www.phoenixcontact.com/us/products/0311359>

Please be informed that the data shown in this PDF document is generated from our online catalog. Please find the complete data in the user documentation. Our general terms of use for downloads are valid.



Test plug strip, number of positions: 1, color: green

Your advantages

- The test socket PSBJ... is used in place of the normal bridge screw and ensures the voltage pick-off on a bridged group of terminals
- The test sockets are tailored to the special applications encountered in the power supply industry

Commercial data

Item number	0311359
Packing unit	10 pc
Minimum order quantity	10 pc
Sales key	BE19
Product key	BE1Z3X
Catalog page	Page 586 (C-1-2019)
GTIN	4017918001445
Weight per piece (including packing)	3.64 g
Weight per piece (excluding packing)	3.51 g
Customs tariff number	85366990
Country of origin	PL

PSBJ 3,5/18/6 GN - Test plug strip

0311359

<https://www.phoenixcontact.com/us/products/0311359>

Technical data

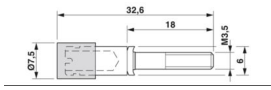
Product properties

Product type	Test socket
Number of positions	1

Connection data

Connection method	Screw connection
-------------------	------------------

Dimensions

Dimensional drawing	
Width	6 mm
Height	6 mm
Depth on NS 35/7,5	15 mm
Pin diameter	4 mm

Material specifications

Color	green
Material	Brass
Insulating material	PA
Contact material	PE-LD, silver-plated brass

Environmental and real-life conditions

Ambient conditions

Ambient temperature (operation)	-40 °C ... 80 °C
---------------------------------	------------------

PSBJ 3,5/18/6 GN - Test plug strip



0311359

<https://www.phoenixcontact.com/us/products/0311359>

Classifications

ECLASS

ECLASS-11.0	27440313
ECLASS-13.0	27440313
ECLASS-12.0	27440313

ETIM

ETIM 9.0	EC002255
----------	----------

UNSPSC

UNSPSC 21.0	20122000
-------------	----------

PSBJ 3,5/18/6 GN - Test plug strip



0311359

<https://www.phoenixcontact.com/us/products/0311359>

Environmental product compliance

China RoHS	Environmentally friendly use period: unlimited = EFUP-e
	No hazardous substances above threshold values

Phoenix Contact 2024 © - all rights reserved
<https://www.phoenixcontact.com>

Phoenix Contact USA
586 Fulling Mill Road
Middletown, PA 17057, United States
(+717) 944-1300
info@phoenixcon.com