

ME 45 UTG/FE BK - Mounting base housing



2706357

<https://www.phoenixcontact.com/pc/products/2706357>

Please be informed that the data shown in this PDF document is generated from our online catalog. Please find the complete data in the user documentation. Our general terms of use for downloads are valid.



DIN rail housing, Lower housing part with metal foot catch, with 2 FE contacts, tall design, without vents, width: 45.2 mm, height: 99 mm, depth: 107.3 mm, color: black (similar RAL 9005), cross connection: without bus connector, number of positions cross connector: not relevant

Your advantages

- Tool-free mounting
- Available in overall widths from 12.5 mm to 90 mm, modular extension possible
- Flammability rating V0 in accordance with UL 94
- Variety of connection technology
- Can be mounted on the DIN rail
- With integrated or DIN-rail-mountable bus connector as an option

Commercial data

Item number	2706357
Packing unit	10 pc
Minimum order quantity	1 pc
Note	Made to order (non-returnable)
Product key	ACHAAA
GTIN	4017918727727
Weight per piece (including packing)	67.62 g
Weight per piece (excluding packing)	52.544 g
Customs tariff number	85389099
Country of origin	DE

ME 45 UTG/FE BK - Mounting base housing

2706357

<https://www.phoenixcontact.com/pc/products/2706357>

Technical data

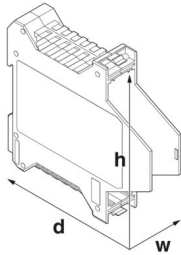
Notes

General	Refer to the data sheet for the range in the download area.
---------	---

Product properties

Product type	Enclosure bottom part
Product family	ME..UTG/FE
Type	Lower housing parts without vents, housing cover necessary to complete the module
Housing series	ME
Max. number of positions	0)
Type	Lower housing part with metal foot catch, with 2 FE contacts, tall design
Housing type	DIN rail housing
Ventilation openings present	no

Dimensions

Dimensional drawing	
Width	45.2 mm
Height	99 mm
Depth	107.3 mm
Depth from top edge of DIN rail	100.7 mm
Depth from top edge of DIN rail to support point on upper part	68.5 mm

PCB design

PCB thickness	1.4 mm ... 1.8 mm
---------------	-------------------

Material specifications

Color (Housing)	black (RAL 9005)
Flammability rating according to UL 94	V0
CTI according to IEC 60112	600
Housing material	Polyamide
Surface characteristics	untreated

Environmental and real-life conditions

Power dissipation single housing for 20 °C

ME 45 UTG/FE BK - Mounting base housing



2706357

<https://www.phoenixcontact.com/pc/products/2706357>

Ambient temperature	20 °C
Reduction factor	1
Mounting position	vertical
Power dissipation	7.6 W

Power dissipation single housing for 30 °C

Ambient temperature	30 °C
Reduction factor	0.91
Mounting position	vertical
Power dissipation	6.9 W

Power dissipation single housing for 40 °C

Ambient temperature	40 °C
Reduction factor	0.81
Mounting position	vertical
Power dissipation	6.1 W

Power dissipation single housing for 50 °C

Ambient temperature	50 °C
Reduction factor	0.7
Mounting position	vertical
Power dissipation	5.3 W

Power dissipation single housing for 60 °C

Ambient temperature	60 °C
Reduction factor	0.57
Mounting position	vertical
Power dissipation	4.3 W

Power dissipation single housing for 70 °C

Ambient temperature	70 °C
Reduction factor	0.49
Mounting position	vertical
Power dissipation	3.7 W

Vibration test

Specification	IEC 60068-2-6:2007-12
Frequency	10 - 150 - 10 Hz
Sweep speed	1 octave/min
Amplitude	0.15 mm (10 Hz ... 58.1 Hz)
Acceleration	2g (58.1 Hz ... 150 Hz)
Test duration per axis	2.5 h
Test directions	X-, Y- and Z-axis

Glow-wire test

Specification	IEC 60695-2-11:2014-02
Temperature	850 °C

ME 45 UTG/FE BK - Mounting base housing



2706357

<https://www.phoenixcontact.com/pc/products/2706357>

Time of exposure	30 s
------------------	------

Thermal stability / ball thrust test

Specification	IEC 60695-10-2:2014-02
Temperature	125 °C
Test duration	1 h
Force	20 N

Mechanical strength / tumbling barrel

Specification	IEC 60998-1:2002-12
Height of fall	50 cm
Frequency	10

Shocks

Specification	IEC 60068-2-27:2008-02
Pulse shape	Half-sine
Acceleration	15g
Shock duration	11 ms
Number of shocks per direction	3
Test directions	X-, Y- and Z-axis (pos. and neg.)

Degree of protection (IP code)

Specification	IEC 60529:1989-11 + AMD 1:1999-11 + AMD 2:2013-08
---------------	---

Ambient conditions

Max. IP code to attain	IP20
Ambient temperature (operation)	-40 °C ... 105 °C (depending on power dissipation)
Ambient temperature (storage/transport)	-40 °C ... 55 °C
Ambient temperature (assembly)	-5 °C ... 100 °C
Relative humidity (storage/transport)	80 %

PCB data

Number of PCB holders	2
Type of PCB mount	Insertion (optional latching by PCB stop)
Thickness of the PCB	1.4 mm ... 1.8 mm

Mounting

Mounting type	DIN rail mounting
Mounting position	Vertical (horizontal DIN rail)

Packaging specifications

Type of packaging	packed in cardboard
Outer packaging type	Carton

ME 45 UTG/FE BK - Mounting base housing

2706357

<https://www.phoenixcontact.com/pc/products/2706357>



Drawings

Dimensional drawing



Schematic figure for illustrating the item dimensions. The figure is not of the desired product. For further details, refer to the product drawings in the "Downloads" tab.

ME 45 UTG/FE BK - Mounting base housing



2706357

<https://www.phoenixcontact.com/pc/products/2706357>

Classifications

ECLASS

ECLASS-11.0	27182702
ECLASS-13.0	27190601

ETIM

ETIM 8.0	EC001031
----------	----------

UNSPSC

UNSPSC 21.0	31261500
-------------	----------

ME 45 UTG/FE BK - Mounting base housing



2706357

<https://www.phoenixcontact.com/pc/products/2706357>

Environmental product compliance

EU RoHS

Fulfills EU RoHS substance requirements	Yes, No exemptions
---	--------------------

China RoHS

Environment friendly use period (EFUP)	EFUP-E
	No hazardous substances above the limits

EU REACH SVHC

REACH candidate substance (CAS No.)	No substance above 0.1 wt%
-------------------------------------	----------------------------

ME 45 UTG/FE BK - Mounting base housing

2706357

<https://www.phoenixcontact.com/pc/products/2706357>

Mandatory accessories

ME 45 OT-MSTBO BK - Upper housing part

2854623

<https://www.phoenixcontact.com/pc/products/2854623>

DIN rail housing, Upper housing part for connectors with header, width: 45.2 mm, height: 99 mm, depth: 45.85 mm, color: black (similar RAL 9005)



ME 45 OT-MKDSO BK - Upper housing part

2200399

<https://www.phoenixcontact.com/pc/products/2200399>

DIN rail housing, Upper housing part for PCB terminal blocks with screw connection, width: 45.2 mm, height: 99 mm, depth: 45.85 mm, color: black (similar RAL 9005)



ME 45 UTG/FE BK - Mounting base housing

2706357

<https://www.phoenixcontact.com/pc/products/2706357>



ME 45 OT-1MSTBO BK - Upper housing part

2707505

<https://www.phoenixcontact.com/pc/products/2707505>

DIN rail housing, Upper housing part for connectors with header, width: 45.2 mm, height: 99 mm, depth: 45.85 mm, color: black (similar RAL 9005)



ME 22,5 OT-FKDSO BK - Upper housing part

2200838

<https://www.phoenixcontact.com/pc/products/2200838>

DIN rail housing, Upper housing part for PCB terminal blocks with Push-in spring connection, width: 22.6 mm, height: 99 mm, depth: 45.85 mm



ME 45 UTG/FE BK - Mounting base housing

2706357

<https://www.phoenixcontact.com/pc/products/2706357>



ME 22,5 OT-MSTBO BK - Upper housing part

2908980

<https://www.phoenixcontact.com/pc/products/2908980>

DIN rail housing, Upper housing part for connectors with header, width: 22.6 mm, height: 99 mm, depth: 45.85 mm, color: black (similar RAL 9005)



ME 22,5 OT-MKDSO BK - Upper housing part

2908414

<https://www.phoenixcontact.com/pc/products/2908414>

DIN rail housing, Upper housing part for PCB terminal blocks with screw connection, width: 22.6 mm, height: 99 mm, depth: 45.85 mm, color: black (similar RAL 9005)



ME 45 UTG/FE BK - Mounting base housing

2706357

<https://www.phoenixcontact.com/pc/products/2706357>



ME 22,5 OT-3MSTBO BK - Upper housing part

2901233

<https://www.phoenixcontact.com/pc/products/2901233>



DIN rail housing, Upper housing part for connectors with header, width: 22.6 mm, height: 102 mm, depth: 60.15 mm, color: black (similar RAL 9005)

ME 22,5 OT-1MSTBO BK - Upper housing part

2707495

<https://www.phoenixcontact.com/pc/products/2707495>



DIN rail housing, Upper housing part for connectors with header, width: 22.6 mm, height: 99 mm, depth: 45.85 mm, color: black (similar RAL 9005)

Accessories

ME 45 UTG/FE BK - Mounting base housing

2706357

<https://www.phoenixcontact.com/pc/products/2706357>



ME LPZS - PCB stop

2906911

<https://www.phoenixcontact.com/pc/products/2906911>



DIN rail housing, after approx. 4 cm, the ME LPZS PCB pull-out stop prevents the PCB from being removed completely and locks the PCB in place

ME MF 17,5 - Base latch

2908281

<https://www.phoenixcontact.com/pc/products/2908281>



Metal foot catch with spring, for intermediate elements.

ME 45 UTG/FE BK - Mounting base housing

2706357

<https://www.phoenixcontact.com/pc/products/2706357>



ME-SAS - Shield connection clamp

2853899

<https://www.phoenixcontact.com/pc/products/2853899>

Shield connection clamp for terminal points starting from 2.5 mm²

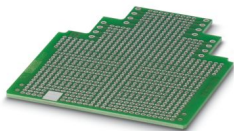


ME LP - PCB

2906908

<https://www.phoenixcontact.com/pc/products/2906908>

PCB, for custom fitting, with contact to DIN rail (EN 60715)



ME 45 UTG/FE BK - Mounting base housing

2706357

<https://www.phoenixcontact.com/pc/products/2706357>



EML (44X76)R-ME - Label for ME ... UT ... housing

0828130

<https://www.phoenixcontact.com/pc/products/0828130>



Label for ME ... UT ... housing, Roll, white, unlabeled, can be labeled with: THERMOMARK ROLLMASTER 300/600, THERMOMARK X1.2, THERMOMARK ROLL X1, THERMOMARK ROLL 2.0, THERMOMARK ROLL, mounting type: adhesive, lettering field size: 44 x 76 mm, Number of individual labels: 200

Phoenix Contact 2024 © - all rights reserved

<https://www.phoenixcontact.com>

PHOENIX CONTACT GmbH & Co. KG

Flachsmarktstraße 8

D-32825 Blomberg

+49 (0) 5235-3 00

info@phoenixcontact.com