

RPI-BC 107,6 EXT DEV-KIT KMGY - Electronics housing

1107460

<https://www.phoenixcontact.com/pc/products/1107460>

Please be informed that the data shown in this PDF document is generated from our online catalog. Please find the complete data in the user documentation. Our general terms of use for downloads are valid.



DIN rail housing for Raspberry Pi computers (suitable for Raspberry Pi A+, B+, B2, B3, B4); set consisting of lower part, upper part, cover, perfboard, and holder for connecting the HBUS and GPIO strip; housing in accordance with DIN 43880

Your advantages

- Tool-free mounting
- Plenty of space for additional circuits on matrix or additional boards
- GPIO strip can be used with PTSM series connection technology
- Easy module-to-module connection, thanks to bus connection via DIN rails

Commercial data

Item number	1107460
Packing unit	1 pc
Minimum order quantity	1 pc
Product key	ACHBAE
GTIN	4063151008789
Weight per piece (including packing)	211 g
Weight per piece (excluding packing)	200 g
Customs tariff number	85366990
Country of origin	DE

RPI-BC 107,6 EXT DEV-KIT KMGY - Electronics housing



1107460

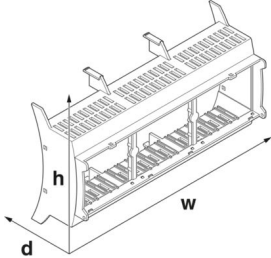
<https://www.phoenixcontact.com/pc/products/1107460>

Technical data

Product properties

Product type	Stackable housing set
Housing series	BC
Type	Housing set
Housing type	DIN rail housing for use in distribution boards in accordance with DIN 43880
Ventilation openings present	yes

Dimensions

Dimensional drawing	
Width	107.6 mm
Height	89.7 mm
Depth	62.2 mm

Material specifications

Color (Upper housing part)	light grey (RAL 7035)
Color (Lower housing part)	light grey (RAL 7035)
Flammability rating according to UL 94	V0
Housing material	Polycarbonate

Environmental and real-life conditions

Ambient conditions

Max. IP code to attain	IP20
Ambient temperature (operation)	-40 °C ... 105 °C (depending on power dissipation)
Ambient temperature (storage/transport)	-40 °C ... 70 °C
Ambient temperature (assembly)	-5 °C ... 100 °C

PCB data

Type of PCB mount	Latching
-------------------	----------

Mounting

Mounting type	DIN rail mounting/wall mounting
Mounting position	parallel to the DIN rail

Packaging specifications

RPI-BC 107,6 EXT DEV-KIT KMGY - Electronics housing



1107460

<https://www.phoenixcontact.com/pc/products/1107460>

Type of packaging	packed in cardboard
Outer packaging type	Carton

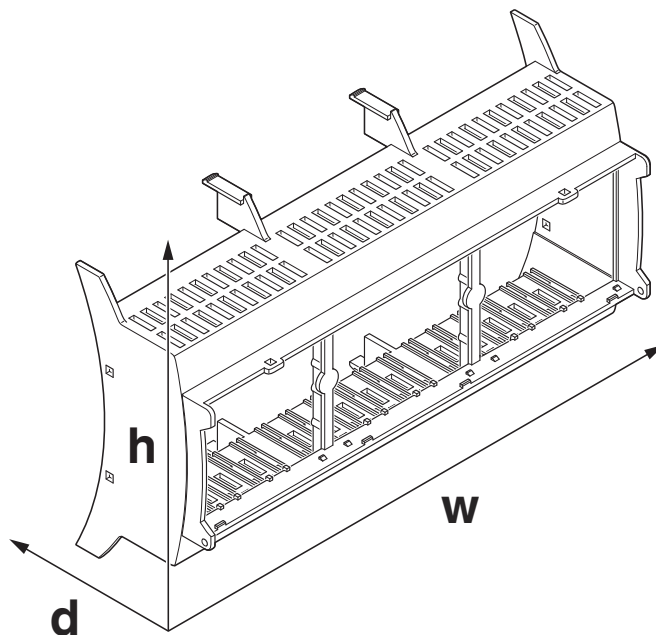
RPI-BC 107,6 EXT DEV-KIT KMGY - Electronics housing

1107460

<https://www.phoenixcontact.com/pc/products/1107460>

Drawings

Dimensional drawing



Schematic figure for illustrating the item dimensions. The figure is not of the desired product. For further details, refer to the product drawings in the "Downloads" tab.

RPI-BC 107,6 EXT DEV-KIT KMGY - Electronics housing



1107460

<https://www.phoenixcontact.com/pc/products/1107460>

Classifications

ECLASS

ECLASS-11.0	27182702
ECLASS-13.0	27190201

ETIM

ETIM 9.0	EC001031
----------	----------

UNSPSC

UNSPSC 21.0	31261500
-------------	----------

RPI-BC 107,6 EXT DEV-KIT KMGY - Electronics housing



1107460

<https://www.phoenixcontact.com/pc/products/1107460>

Environmental product compliance

EU RoHS

Fulfills EU RoHS substance requirements	Yes, No exemptions
---	--------------------

China RoHS

Environment friendly use period (EFUP)	EFUP-E
	No hazardous substances above the limits

EU REACH SVHC

REACH candidate substance (CAS No.)	No substance above 0.1 wt%
-------------------------------------	----------------------------

RPI-BC 107,6 EXT DEV-KIT KMGY - Electronics housing

1107460

<https://www.phoenixcontact.com/pc/products/1107460>

Accessories

BC 107,6 UT HBUS BK - Mounting base housing

2896270

<https://www.phoenixcontact.com/pc/products/2896270>



DIN rail housing for use in distribution boards in accordance with DIN 43880, Lower housing part with base latch, width: 107.6 mm, height: 89.7 mm, depth: 48.9 mm, color: black (similar RAL 9005), cross connection: DIN rail connector (optional), number of positions cross connector: 16

BC 107,6 DKL S TRANS - Housing cover

2896131

<https://www.phoenixcontact.com/pc/products/2896131>



DIN rail housing for use in distribution boards in accordance with DIN 43880, transparent hinged cover, can be sealed, including insertion plate, width: 107.6 mm, height: 45 mm, depth: 8 mm, color: light grey (similar RAL 7035)

RPI-BC 107,6 EXT DEV-KIT KMGY - Electronics housing



1107460

<https://www.phoenixcontact.com/pc/products/1107460>

STEP3-PS/1AC/5DC/3/PT - Power supply unit

1170954

<https://www.phoenixcontact.com/pc/products/1170954>



Primary-switched power supply unit, STEP POWER, Push-in connection, DIN rail or direct mounting, input: 1-phase, output: 5 V DC / 3 A

Phoenix Contact 2024 © - all rights reserved

<https://www.phoenixcontact.com>

PHOENIX CONTACT GmbH & Co. KG

Flachsmarktstraße 8

D-32825 Blomberg

+49 (0) 5235-3 00

info@phoenixcontact.com