

# UEGM-MSTB - Electronics housing

2781453

<https://www.phoenixcontact.com/pc/products/2781453>

Please be informed that the data shown in this PDF document is generated from our online catalog. Please find the complete data in the user documentation. Our general terms of use for downloads are valid.

Electronic housing, for PCB insertion, with 12-pos. Combicon pin strip



## Commercial data

Item number	2781453
Packing unit	10 pc
Minimum order quantity	10 pc
Product key	ACHCC
Catalog page	Page 728 (C-1-2013)
GTIN	4017918068967
Weight per piece (including packing)	52.07 g
Weight per piece (excluding packing)	45.5 g
Customs tariff number	85366990
Country of origin	DE

2781453

<https://www.phoenixcontact.com/pc/products/2781453>

## Technical data

### Product properties

Product type	Complete housing
Product family	UEGM-MSTB
Type	Connection system integrated, housing closed
Housing series	UEG
Number of positions	12
Type	Complete housing
Housing type	Complete housing

### Dimensions

Width	25 mm
Installed height	90.5 mm
Height NS 35/7,5	90.5 mm
Depth	79 mm
Length	79 mm

### Material specifications

Color	green
Flammability rating according to UL 94	V2
Housing material	Polyamide
Surface characteristics	untreated

### Environmental and real-life conditions

#### Ambient conditions

Ambient temperature (operation)	-40 °C ... 105 °C
---------------------------------	-------------------

# UEGM-MSTB - Electronics housing

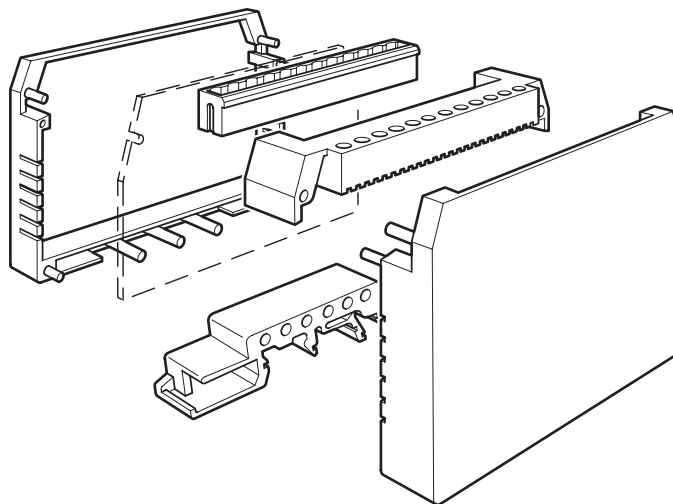
2781453

<https://www.phoenixcontact.com/pc/products/2781453>



## Drawings

Exploded view



# UEGM-MSTB - Electronics housing



2781453

<https://www.phoenixcontact.com/pc/products/2781453>

## Classifications

### ECLASS

ECLASS-11.0	27182702
ECLASS-13.0	27190301

### ETIM

ETIM 8.0	EC001031
----------	----------

### UNSPSC

UNSPSC 21.0	31261500
-------------	----------

# UEGM-MSTB - Electronics housing



2781453

<https://www.phoenixcontact.com/pc/products/2781453>

## Environmental product compliance

### EU RoHS

Fulfills EU RoHS substance requirements	Yes, No exemptions
---	--------------------

### China RoHS

Environment friendly use period (EFUP)	EFUP-E
	No hazardous substances above the limits

### EU REACH SVHC

REACH candidate substance (CAS No.)	No substance above 0.1 wt%
-------------------------------------	----------------------------

# UEGM-MSTB - Electronics housing

2781453

<https://www.phoenixcontact.com/pc/products/2781453>



## Accessories

### UEGM-MSTB-BS - Filler plug

2781466

<https://www.phoenixcontact.com/pc/products/2781466>

Filler plug, for closing LED cutouts which are not required.



---

Phoenix Contact 2024 © - all rights reserved  
<https://www.phoenixcontact.com>

PHOENIX CONTACT GmbH & Co. KG  
Flachsmarktstraße 8  
D-32825 Blomberg  
+49 (0) 5235-3 00  
[info@phoenixcontact.com](mailto:info@phoenixcontact.com)