

# SAC-5P-M12FS CAN TR - Termination resistor



1529344

<https://www.phoenixcontact.com/pc/products/1529344>

Please be informed that the data shown in this PDF document is generated from our online catalog. Please find the complete data in the user documentation. Our general terms of use for downloads are valid.

Terminating resistor CANopen<sup>®</sup>/DeviceNet<sup>™</sup> M12



## Commercial data

|                                      |                     |
|--------------------------------------|---------------------|
| Item number                          | 1529344             |
| Packing unit                         | 5 pc                |
| Minimum order quantity               | 5 pc                |
| Product key                          | BF1GVX              |
| Catalog page                         | Page 444 (C-6-2019) |
| GTIN                                 | 4017918989538       |
| Weight per piece (including packing) | 12.74 g             |
| Weight per piece (excluding packing) | 9.28 g              |
| Customs tariff number                | 85332100            |
| Country of origin                    | DE                  |

# SAC-5P-M12FS CAN TR - Termination resistor



1529344

<https://www.phoenixcontact.com/pc/products/1529344>

## Technical data

### Product properties

|                     |                   |
|---------------------|-------------------|
| Product type        | Terminal resistor |
| Number of positions | 5                 |
| Coding              | A                 |

### Insulation characteristics

|                      |    |
|----------------------|----|
| Overvoltage category | II |
| Degree of pollution  | 3  |

### Electrical properties

|                       |                     |
|-----------------------|---------------------|
| Nominal voltage $U_N$ | 48 V AC             |
|                       | 60 V DC             |
|                       | 5 V <sub>rms</sub>  |
| Nominal current $I_N$ | 4 A                 |
|                       | 45 mA ( $I_{eff}$ ) |

### General

|                      |                        |
|----------------------|------------------------|
| Termination resistor | 120 $\Omega$ $\pm$ 1 % |
| Power consumption    | $\leq$ 0.25 W          |

### Signaling

|                        |    |
|------------------------|----|
| Status display         | No |
| Status display present | No |

### Material specifications

|  |   |
|--|---|
| Flammability rating according to UL 94 | HB  |
| Seal material                          | NBR   |
| Material of grip body                  | TPU, hardly inflammable, self-extinguishing |
| Contact material                       | CuSn  |
| Contact surface material               | Ni/Au                                       |
| Contact carrier material               | TPU GF                                      |
| Material for screw connection          | Zinc die-cast, nickel-plated                |

### Connector

#### Connection 1

|                     |                     |
|---------------------|---------------------|
| Type                | Socket straight M12 |
| Number of positions | 5                   |
| Coding type         | A                   |

### Mechanical properties

#### Mechanical data

|                             |            |
|-----------------------------|------------|
| Insertion/withdrawal cycles | $\geq$ 100 |
|-----------------------------|------------|

# SAC-5P-M12FS CAN TR - Termination resistor



1529344

<https://www.phoenixcontact.com/pc/products/1529344>

## Environmental and real-life conditions

### Ambient conditions

|                                 |                         |
|---------------------------------|-------------------------|
| Degree of protection            | IP65                    |
|                                 | IP67                    |
| Ambient temperature (operation) | -25 °C ... 90 °C (Plug) |

## Approvals

### National Marine Electronics Association

|             |          |
|-------------|----------|
| Certificate | approved |
|-------------|----------|

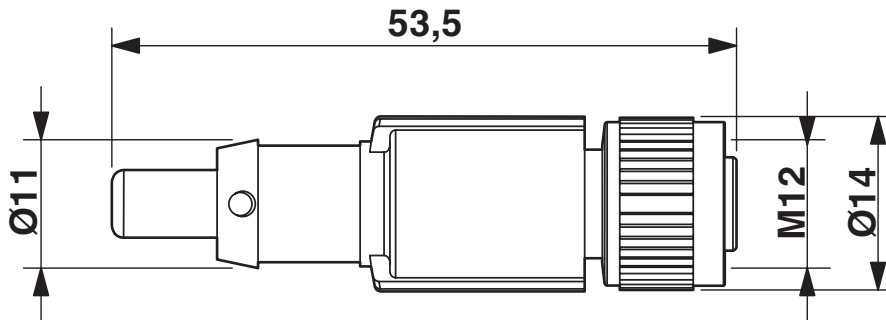
# SAC-5P-M12FS CAN TR - Termination resistor

1529344

<https://www.phoenixcontact.com/pc/products/1529344>

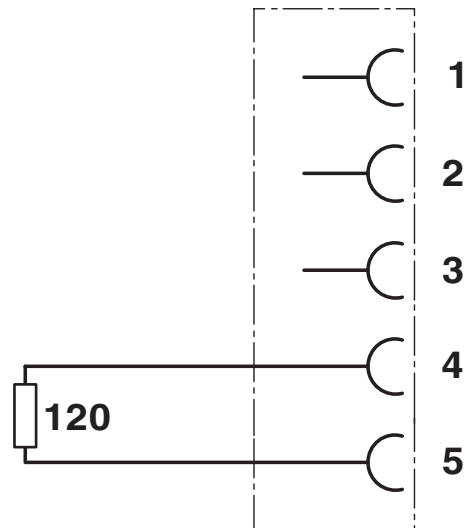
## Drawings

Dimensional drawing



M12 x 1 socket, straight

Circuit diagram



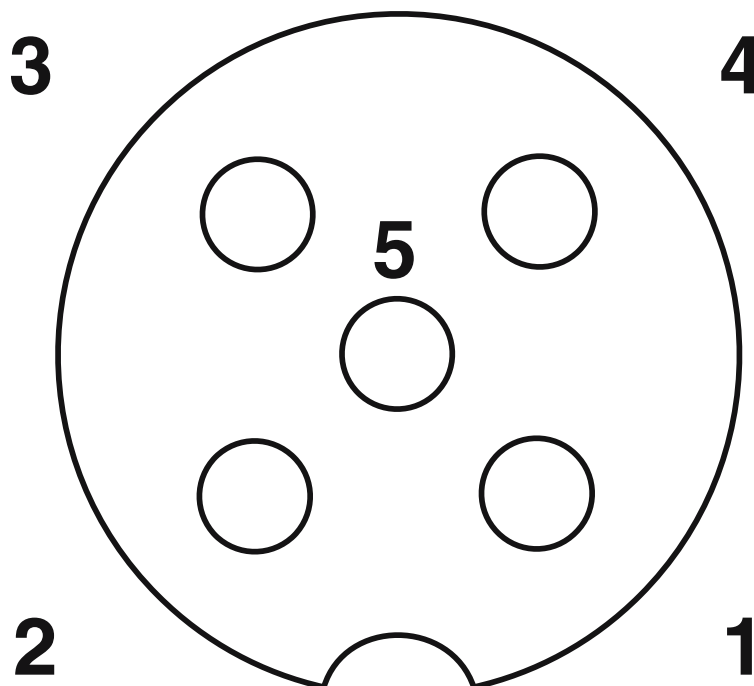
# SAC-5P-M12FS CAN TR - Termination resistor

1529344

<https://www.phoenixcontact.com/pc/products/1529344>



Schematic diagram



Pin assignment M12 socket, 5-pos., A-coded, socket side view

# SAC-5P-M12FS CAN TR - Termination resistor



1529344

<https://www.phoenixcontact.com/pc/products/1529344>

## Classifications

### ECLASS

|             |          |
|-------------|----------|
| ECLASS-11.0 | 19070403 |
| ECLASS-12.0 | 19070403 |
| ECLASS-13.0 | 19070403 |

### ETIM

|          |          |
|----------|----------|
| ETIM 9.0 | EC000448 |
|----------|----------|

### UNSPSC

|             |          |
|-------------|----------|
| UNSPSC 21.0 | 32121600 |
|-------------|----------|

# SAC-5P-M12FS CAN TR - Termination resistor



1529344

<https://www.phoenixcontact.com/pc/products/1529344>

## Environmental product compliance

### EU RoHS

|   |                    |
|---|--------------------|
| Fulfills EU RoHS substance requirements | Yes, No exemptions |
|---|--------------------|

### China RoHS

|  |  |
|--|--|
| Environment friendly use period (EFUP) | EFUP-E                                   |
|  | No hazardous substances above the limits |

### EU REACH SVHC

|                                     |                            |
|-------------------------------------|----------------------------|
| REACH candidate substance (CAS No.) | No substance above 0.1 wt% |
|-------------------------------------|----------------------------|

Phoenix Contact 2024 © - all rights reserved  
<https://www.phoenixcontact.com>

PHOENIX CONTACT GmbH & Co. KG  
Flachmarktstraße 8  
D-32825 Blomberg  
+49 (0) 5235-3 00  
[info@phoenixcontact.com](mailto:info@phoenixcontact.com)