

ICS25-B122X98-O-7035 - Mounting base housing



1355946

<https://www.phoenixcontact.com/us/products/1355946>

Please be informed that the data shown in this PDF document is generated from our online catalog. Please find the complete data in the user documentation. Our general terms of use for downloads are valid.



DIN rail housing, Lower housing part with metal foot catch, width: 25 mm, height: 122.5 mm, depth: 108.35 mm, color: light grey (similar RAL 7035), cross connection: DIN rail connector (optional), number of positions cross connector: 8

Your advantages

- Flexible use, thanks to the modular system and unique modularity in the connection technology
- Standardized connections such as RJ45, USB, D-SUB and antenna sockets as components that can be integrated
- Optimal space utilization, as well as adaptability of design, colors, and printing
- Eight-position DIN rail connectors with parallel and up to two serial contacts for easy module-to-module communication

Commercial data

Item number	1355946
Packing unit	10 pc
Minimum order quantity	10 pc
Sales key	AC09
Product key	ACHAEB
GTIN	4063151683511
Weight per piece (including packing)	56.17 g
Weight per piece (excluding packing)	55.8 g
Customs tariff number	85389099
Country of origin	DE

1355946

<https://www.phoenixcontact.com/us/products/1355946>

Technical data

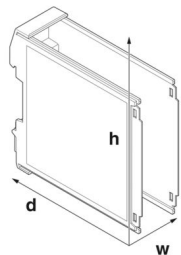
Notes

General	Refer to the data sheet for the range in the download area.
General	Material of contact pads for bus connector, galvanic gold (hard gold)

Product properties

Product type	Enclosure bottom part
Housing series	ICS
Product family	ICS25-..122X..
Max. number of positions	40 (pitch: 3.5 mm) 32 (pitch: 5 mm)
Number of rows	4
Type	Lower housing part with metal foot catch
Housing type	DIN rail housing
Ventilation openings present	no

Dimensions

Dimensional drawing	
Width	25 mm
Height	122.5 mm
Depth	108.35 mm
Depth from top edge of DIN rail to support point on upper part	98.15 mm
Dimensions	25 mm x 122.5 mm x 110 mm (Lower housing part from the top edge of the DIN rail with upper housing part) 25 mm x 122.5 mm x 116.7 mm (Lower housing part with upper housing part)

PCB design

PCB thickness	1.4 mm ... 1.8 mm
---------------	-------------------

Material specifications

Color (Housing)	light grey (RAL 7035)
Flammability rating according to UL 94	V0
CTI according to IEC 60112	600
Surface characteristics	untreated
Housing material	Polyamide

1355946

<https://www.phoenixcontact.com/us/products/1355946>

Environmental and real-life conditions

Vibration test

Specification	IEC 60068-2-6:2007-12
Frequency	10 - 150 - 10 Hz
Sweep speed	1 octave/min
Amplitude	0.15 mm (10 Hz ... 58.1 Hz)
Acceleration	2g (58.1 Hz ... 150 Hz)
Test duration per axis	2.5 h
Test directions	X-, Y- and Z-axis

Glow-wire test

Specification	IEC 60695-2-11:2014-02
Temperature	850 °C
Time of exposure	30 s

Thermal stability / ball thrust test

Specification	IEC 60695-10-2:2014-02
Temperature	125 °C
Test duration	1 h
Force	20

Mechanical strength / tumbling barrel

Specification	IEC 60068-2-31:2008-05
Height of fall	50 cm
Frequency	50

Shocks

Specification	IEC 60068-2-27:2008-02
Pulse shape	Semi-sinusoidal
Acceleration	15g
Shock duration	11 ms
Number of shocks per direction	3
Test directions	X-, Y- and Z-axis (pos. and neg.)

Degree of protection (IP code)

Specification	IEC 60529:1989-11 + AMD 1:1999-11 + AMD 2:2013-08
---------------	---

Ambient conditions

Max. IP code to attain	IP20
Ambient temperature (operation)	-40 °C ... 105 °C (depending on power dissipation)
Ambient temperature (storage/transport)	-40 °C ... 55 °C
Ambient temperature (assembly)	-5 °C ... 100 °C
Relative humidity (storage/transport)	80 %

PCB data

ICS25-B122X98-O-7035 - Mounting base housing



1355946

<https://www.phoenixcontact.com/us/products/1355946>

Number of PCB holders	2
Type of PCB mount	Latching
Thickness of the PCB	1.4 mm ... 1.8 mm

Mounting

Mounting type	DIN rail mounting
Mounting position	Vertical (horizontal DIN rail)

Packaging specifications

Type of packaging	packed in cardboard
Outer packaging type	Carton

ICS25-B122X98-O-7035 - Mounting base housing



1355946

<https://www.phoenixcontact.com/us/products/1355946>

Classifications

ECLASS

ECLASS-11.0	27182702
ECLASS-13.0	27190601

ETIM

ETIM 9.0	EC001031
----------	----------

UNSPSC

UNSPSC 21.0	31261500
-------------	----------

ICS25-B122X98-O-7035 - Mounting base housing



1355946

<https://www.phoenixcontact.com/us/products/1355946>

Environmental product compliance

China RoHS	Environmentally friendly use period: unlimited = EFUP-e No hazardous substances above threshold values
------------	---

Phoenix Contact 2024 © - all rights reserved
<https://www.phoenixcontact.com>

Phoenix Contact USA
586 Fulling Mill Road
Middletown, PA 17057, United States
(+717) 944-1300
info@phoenixcon.com