

Actuator - PSR-ESS-M0-H110 - 1221757

Please be informed that the data shown in this PDF Document is generated from our Online Catalog. Please find the complete data in the user's documentation. Our General Terms of Use for Downloads are valid (<http://phoenixcontact.com/download>)



Actuator with anti-lock collar for modular emergency stop switches, for combination with module holder and contact module as a functional unit, panel installation, bayonet lock

Product Description

Phoenix Contact emergency stop switches are electromechanical switching devices with a safety function. They are used to safely shut down or stop machines and systems in order to prevent or minimize personal injury and property damage.

The portfolio includes a modular system as well as a preconfigured solution.

The modular emergency stop switch is comprised of the following components:


- PSR-ESS-M0-H100 / ...110 / ...120 actuator
- PSR-ESS-ACC-CB1-C... module holder
- PSR-ESS-ACC-CB1-NC-SC or PSR-ESS-ACC-CB1-SM-SC safe contact module

Further contact modules can be combined if required.

Your advantages

- Modular system allows an efficient solution for individual applications
- Bayonet lock allows tool-free connection with the actuator
- Rapid on-site diagnostics with color-coded switching position indicator

Key Commercial Data

Packing unit	1 pc
GTIN	 4 063151 310875
GTIN	4063151310875
Weight per Piece (excluding packing)	60.000 g
Custom tariff number	85365080
Country of origin	Germany

Technical data

Dimensions

Diameter	55 mm
Depth	60.9 mm

Ambient conditions

Actuator - PSR-ESS-M0-H110 - 1221757

Technical data

Ambient conditions

Ambient temperature (operation)	-30 °C ... 70 °C
Ambient temperature (storage/transport)	-50 °C ... 85 °C
Maximum altitude	max. 2000 m (Above sea level)

General

Type of actuation	Push
Type of release	Twist release left/right
Net weight	60.8 g
Mounting position	any
Mounting type	Panel mount
Assembly instructions	Mounting nut torque: max. 2.5 Nm
Degree of protection	IP65/IP67/IP69K (with professional installation in the appropriate installation space)
Housing material	PA
Flammability rating according to UL 94	V2
Housing color	yellow/red
Mechanical service life	50,000 switching cycles

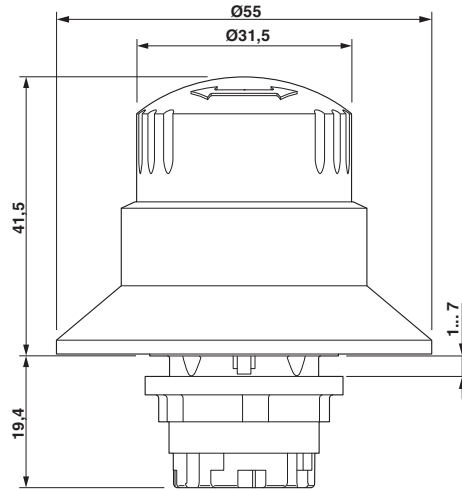
Standards and Regulations

Shock	15g / 11 ms, in accordance with IEC 60068-2-27
Vibration (operation)	10 Hz ... 500 Hz, 0.35 mm amplitude, 5g, in accordance with IEC 60068-2-6

Drawings

Actuator - PSR-ESS-M0-H110 - 1221757

Dimensional drawing



Classifications

eCl@ss

eCl@ss 9.0	27371390
eCl@ss 11.0	27371212

Approvals

Approvals

Approvals

UL Listed / cUL Listed / UL Recognized / Functional Safety / CCC-SDoC / cULus Listed

Ex Approvals

Approval details

UL Listed		http://database.ul.com/cgi-bin/XYV/template/LISEXT/1FRAME/index.htm	FILE E 140324
-----------	--	---	---------------

Actuator - PSR-ESS-M0-H110 - 1221757


Approvals

cUL Listed		http://database.ul.com/cgi-bin/XYV/template/LISEXT/1FRAME/index.htm	FILE E 140324
------------	---	---	---------------

UL Recognized		http://database.ul.com/cgi-bin/XYV/template/LISEXT/1FRAME/index.htm	FILE E 519465
---------------	---	---	---------------

Functional Safety		http://www.tuev-sued.de	B 029429 0022
-------------------	--	---	---------------

CCC-SDoC			2021960305000263
----------	---	--	------------------

cULus Listed			
--------------	--	--	--