

# CAPAROC CR EXT4 - Busbar



1110991

<https://www.phoenixcontact.com/us/products/1110991>

Please be informed that the data shown in this PDF document is generated from our online catalog. Please find the complete data in the user documentation. Our general terms of use for downloads are valid.

Extension busbar with 4 slots for the CAPAROC system. For installation on a DIN rail.



## Your advantages

- The benchmark that you can customize with lengths that can be adapted to your requirements
- Particularly easy operation for everyone with the simple Plug and Play design
- Exceptionally easy design-in with universal busbars up to 45 A

## Commercial data

Item number	1110991
Packing unit	12 pc
Minimum order quantity	12 pc
Sales key	CL11
Product key	CLA23Z
GTIN	4063151029135
Weight per piece (including packing)	14.083 g
Weight per piece (excluding packing)	14 g
Customs tariff number	85363030
Country of origin	DE

1110991

<https://www.phoenixcontact.com/us/products/1110991>

## Technical data

### Notes

#### General

Note	LABS release – in accordance with test specification VW PV 3. 10.7:2005-0
	When using CAPAROC E1... modules, for continuous shock in accordance with IEC 60068-2-27 the 6 ms / 15g degree of severity applies

### Product properties

Product type	Device circuit breakers
Product family	CAPAROC
Number of slots	4

#### Insulation characteristics

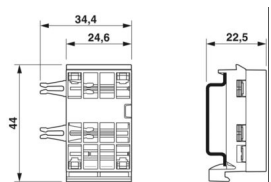
Protection class	III
Pollution degree	2

### Electrical properties

#### General

Rated voltage	24 V DC
Rated current $I_N$	45 A DC (Total current input)

### Dimensions

Dimensional drawing	
Width	34.4 mm
Height	44 mm
Depth	22.5 mm (incl. DIN rail 7.5 mm)

### Material specifications

Color	light grey (RAL 7035)
Material	Copper
	PC
Flammability rating according to UL 94	V-0

### Environmental and real-life conditions

#### Ambient conditions

Degree of protection	IP20
----------------------	------

Ambient temperature (operation)	-30 °C ... 65 °C (The temperature range of the power module must be taken into consideration)
Ambient temperature (storage/transport)	-40 °C ... 70 °C
Altitude	≤ 4000 m (amsl)
Humidity test	96 h, 95 % RH, 40 °C
Shock (operation)	30g (11 ms period, half-sine shock pulse, according to IEC 60068-2-27)
	25g (6 ms duration, half-sine shock pulse in accordance with IEC 60068-2-27, continuous shock)
	15g (6 ms duration, half-sine shock pulse in accordance with IEC 60068-2-27, continuous shock. If more than six CAPAROC E1 modules are used in the system.)
Vibration (operation)	5g (10 ... 150 Hz / 10 cycles / axis / X, Y, Z)

## Approvals

### UL approval

Identification	UL/C-UL Listed UL 508
	UL 121201 Class I, Division 2, Groups A, B, C, D, T4A

## Standards and regulations

Standards/specifications	EN 61000-6-2
Note	EMC – Immunity for industrial areas
Standards/specifications	EN 61000-6-3
Note	EMC – Emission for residential, business and commercial properties and small operations
Standards/specifications	EN 60068-2-78
Note	Environmental influences – Moisture and heat, constant
Standards/specifications	EN 50178
Note	Equipping power installations with electronic equipment
Standards/specifications	EN 60068-2-6
Note	Environmental influences – Vibrations (sinusoidal)
Standards/specifications	EN 60068-2-27
Note	Environmental influences – Shocks

## Mounting

Mounting type	DIN rail: 35 mm
---------------	-----------------

# CAPAROC CR EXT4 - Busbar



1110991

<https://www.phoenixcontact.com/us/products/1110991>

## Classifications

### ECLASS

ECLASS-11.0	27140401
ECLASS-12.0	27140401
ECLASS-13.0	27140401

### ETIM

ETIM 9.0	EC003538
----------	----------

### UNSPSC

UNSPSC 21.0	39121400
-------------	----------

# CAPAROC CR EXT4 - Busbar



1110991

<https://www.phoenixcontact.com/us/products/1110991>

## Environmental product compliance

China RoHS	Environmentally friendly use period: unlimited = EFUP-e No hazardous substances above threshold values
------------	---

Phoenix Contact 2024 © - all rights reserved  
<https://www.phoenixcontact.com>

Phoenix Contact USA  
586 Fulling Mill Road  
Middletown, PA 17057, United States  
(+717) 944-1300  
[info@phoenixcon.com](mailto:info@phoenixcon.com)