

# CAPAROC PD 0V - Potential distributors



1110987

<https://www.phoenixcontact.com/us/products/1110987>

Please be informed that the data shown in this PDF document is generated from our online catalog. Please find the complete data in the user documentation. Our general terms of use for downloads are valid.



Potential distributor with Push-in connections for directly connecting the 0 V return conductor in the CAPAROC system. For DIN rail installation via the CAPAROC current rails.

## Your advantages

- The benchmark that you can tailor with direct pairwise integration into the system alongside the circuit breaker module
- Particularly easy operation for everyone with tool-free insertion without additional wiring effort
- Exceptionally easy design-in with color-coded pushers for clear identification of the potentials

## Commercial data

|                                      |               |
|--------------------------------------|---------------|
| Item number                          | 1110987       |
| Packing unit                         | 1 pc          |
| Minimum order quantity               | 1 pc          |
| Sales key                            | CL11          |
| Product key                          | CLA23Z        |
| GTIN                                 | 4063151029395 |
| Weight per piece (including packing) | 61.7 g        |
| Weight per piece (excluding packing) | 79.7 g        |
| Customs tariff number                | 85363010      |
| Country of origin                    | DE            |

## Technical data

### Notes

#### General

|      |  |
|------|--|
| Note | LABS release – in accordance with test specification VW PV 3. 10.7:2005-0  |
|      | When connecting the conductor, make sure that the CAPAROC modules are not pulled apart due to tensile force. Gaps must not be created between the modules. |

### Product properties

|                 |                         |
|-----------------|-------------------------|
| Product type    | Device circuit breakers |
| Product family  | CAPAROC                 |
| Number of slots | 1                       |

#### Insulation characteristics

|                  |     |
|------------------|-----|
| Protection class | III |
| Pollution degree | 2   |

### Electrical properties

#### General

|                            |   |
|----------------------------|---|
| Operating voltage          | 0 V DC ... 30 V DC                                  |
| Rated voltage              | 12 V DC   |
|                            | 24 V DC   |
| Rated current $I_N$        | 10 A DC (per output)                                |
|                            | 40 A DC (Total)                                     |
| Rated surge voltage        | 0.5 kV  |
| Efficiency                 | > 99 %  |
| Power dissipation          | < 0.4 W (in nominal operation at 24 V and 4 x 10 A) |
| MTBF (IEC 61709, SN 29500) | 269532625 h (at 25 °C with 21 % load)               |
|                            | 269532334.5 h (at 40°C with 34.25% load)            |
|                            | 269530881.5 h (at 60°C with 100% load)              |
| Voltage drop               | 9.7 mV (at 10 A)                                    |

### Connection data

#### Load circuit

|   |  |
|---|--|
| Connection method   | Push-in connection                         |
| Stripping length  | 10 mm                                      |
| Conductor cross section flexible                                      | 0.2 mm <sup>2</sup> ... 4 mm <sup>2</sup>  |
| Conductor cross section rigid   | 0.2 mm <sup>2</sup> ... 4 mm <sup>2</sup>  |
| Conductor cross section AWG   | 24 ... 12                                  |
| Conductor cross section, flexible, with ferrule, with plastic sleeve  | 0.25 mm <sup>2</sup> ... 4 mm <sup>2</sup> |
| Conductor cross section flexible, with ferrule without plastic sleeve | 0.25 mm <sup>2</sup> ... 4 mm <sup>2</sup> |

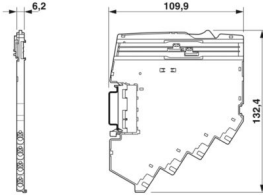
# CAPAROC PD 0V - Potential distributors



1110987

<https://www.phoenixcontact.com/us/products/1110987>

## Dimensions

|                     |  |
|---------------------|--|
| Dimensional drawing |  |
| Width               | 6.2 mm   |
| Height              | 132.4 mm   |
| Depth               | 109.9 mm (incl. DIN rail 7.5 mm)   |

## Material specifications

|  |                       |
|--|-----------------------|
| Color                                  | light grey (RAL 7035) |
| Material                               | PA 6                  |
|  | PA 6                  |
|  | PA 6                  |
| Flammability rating according to UL 94 | V-0                   |

## Environmental and real-life conditions

### Ambient conditions

|   |  |
|---|--|
| Degree of protection                    | IP20   |
| Ambient temperature (operation)         | -30 °C ... 65 °C (The temperature range of the power module must be taken into consideration)  |
| Ambient temperature (storage/transport) | -40 °C ... 70 °C   |
| Altitude                                | ≤ 4000 m (amsl)  |
| Humidity test                           | 96 h, 95 % RH, 40 °C   |
| Shock (operation)                       | 30g (11 ms period, half-sine shock pulse, according to IEC 60068-2-27)                         |
|   | 25g (6 ms duration, half-sine shock pulse in accordance with IEC 60068-2-27, continuous shock) |
| Vibration (operation)                   | 5g (10 ... 150 Hz / 10 cycles / axis / X, Y, Z)  |

## Approvals

### UL approval

|                |   |
|----------------|---|
| Identification | UL/C-UL Listed UL 508                                 |
|                | UL 121201 Class I, Division 2, Groups A, B, C, D, T4A |

## Standards and regulations

|                          |   |
|--------------------------|---|
| Standards/specifications | EN 61000-6-2  |
| Note                     | EMC – Immunity for industrial areas   |
| Standards/specifications | EN 61000-6-3  |
| Note                     | EMC – Emission for residential, business and commercial properties and small operations |

# CAPAROC PD 0V - Potential distributors



1110987

<https://www.phoenixcontact.com/us/products/1110987>

|                          |   |
|--------------------------|---|
| Standards/specifications | EN 60068-2-78   |
| Note                     | Environmental influences – Moisture and heat, constant  |
| Standards/specifications | EN 50178  |
| Note                     | Equipping power installations with electronic equipment |
| Standards/specifications | EN 60068-2-6  |
| Note                     | Environmental influences – Vibrations (sinusoidal)      |
| Standards/specifications | EN 60068-2-27   |
| Note                     | Environmental influences – Shocks                       |

## Mounting

|               |   |
|---------------|---|
| Mounting type | pluggable onto CAPAROC CR... current rail |
|---------------|---|

# CAPAROC PD 0V - Potential distributors



1110987

<https://www.phoenixcontact.com/us/products/1110987>

## Classifications

### ECLASS

|             |          |
|-------------|----------|
| ECLASS-11.0 | 27140401 |
| ECLASS-12.0 | 27140401 |
| ECLASS-13.0 | 27140401 |

### ETIM

|          |          |
|----------|----------|
| ETIM 9.0 | EC003538 |
|----------|----------|

### UNSPSC

|             |          |
|-------------|----------|
| UNSPSC 21.0 | 39121400 |
|-------------|----------|

Phoenix Contact 2024 © - all rights reserved

<https://www.phoenixcontact.com>

Phoenix Contact USA  
586 Fulling Mill Road  
Middletown, PA 17057, United States  
(+717) 944-1300  
[info@phoenixcon.com](mailto:info@phoenixcon.com)