

# ICS20-F45S-9005 - Connection plate



1072522

<https://www.phoenixcontact.com/us/products/1072522>

Please be informed that the data shown in this PDF document is generated from our online catalog. Please find the complete data in the user documentation. Our general terms of use for downloads are valid.

DIN rail housing, ICS filler, closed, width: 20 mm, height: 7.25 mm, depth: 44.9 mm, color: black (similar RAL 9005)



## Your advantages

- Flexible use, thanks to the modular system and unique modularity in the connection technology
- Standardized connections such as RJ45, USB, D-SUB and antenna sockets as components that can be integrated
- Optimal space utilization, as well as adaptability of design, colors, and printing
- Customized processing for any customer-specific connection technology
- Easy and fast push-in mounting of assembled printed-circuit boards, thanks to stable guide rails

## Commercial data

|                                      |                                |
|--------------------------------------|--------------------------------|
| Item number                          | 1072522                        |
| Packing unit                         | 10 pc                          |
| Minimum order quantity               | 10 pc                          |
| Note                                 | Made to order (non-returnable) |
| Product key                          | ACHAEE                         |
| GTIN                                 | 4055626765303                  |
| Weight per piece (including packing) | 2.4 g                          |
| Weight per piece (excluding packing) | 2.38 g                         |
| Country of origin                    | PL                             |

# ICS20-F45S-9005 - Connection plate

1072522

<https://www.phoenixcontact.com/us/products/1072522>

## Technical data

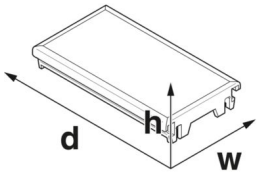
### Notes

|         |   |
|---------|---|
| General | Refer to the data sheet for the range in the download area. |
|---------|---|

### Product properties

|                              |                    |
|------------------------------|--------------------|
| Product type                 | Connection plate   |
| Housing series               | ICS                |
| Product family               | ICS20              |
| Type                         | ICS filler, closed |
| Housing type                 | DIN rail housing   |
| Ventilation openings present | no                 |

### Dimensions

|                     |   |
|---------------------|---|
| Dimensional drawing |  |
| Width               | 20 mm   |
| Height              | 7.25 mm   |
| Depth               | 44.9 mm   |

### PCB design

|               |                   |
|---------------|-------------------|
| PCB thickness | 1.4 mm ... 1.8 mm |
|---------------|-------------------|

### Material specifications

|  |                  |
|--|------------------|
| Color (Housing)                        | black (RAL 9005) |
| Flammability rating according to UL 94 | V0               |
| CTI according to IEC 60112             | 600              |
| Surface characteristics                | untreated        |
| Housing material                       | Polyamide        |

### Environmental and real-life conditions

#### Vibration test

|                        |                             |
|------------------------|-----------------------------|
| Specification          | IEC 60068-2-6:2007-12       |
| Frequency              | 10 - 150 - 10 Hz            |
| Sweep speed            | 1 octave/min                |
| Amplitude              | 0.15 mm (10 Hz ... 58.1 Hz) |
| Acceleration           | 2g (58.1 Hz ... 150 Hz)     |
| Test duration per axis | 2.5 h                       |
| Test directions        | X-, Y- and Z-axis           |

# ICS20-F45S-9005 - Connection plate



1072522

<https://www.phoenixcontact.com/us/products/1072522>

## Glow-wire test

|                  |                        |
|------------------|------------------------|
| Specification    | IEC 60695-2-11:2014-02 |
| Temperature      | 850 °C                 |
| Time of exposure | 30 s                   |

## Thermal stability / ball thrust test

|               |                        |
|---------------|------------------------|
| Specification | IEC 60695-10-2:2014-02 |
| Temperature   | 125 °C                 |
| Test duration | 1 h                    |
| Force         | 20 N                   |

## Mechanical strength / tumbling barrel

|                |                        |
|----------------|------------------------|
| Specification  | IEC 60068-2-31:2008-05 |
| Height of fall | 50 cm                  |
| Frequency      | 50                     |

## Shocks

|                                |                                   |
|--------------------------------|-----------------------------------|
| Specification                  | IEC 60068-2-27:2008-02            |
| Pulse shape                    | Half-sine                         |
| Acceleration                   | 15g                               |
| Shock duration                 | 11 ms                             |
| Number of shocks per direction | 3                                 |
| Test directions                | X-, Y- and Z-axis (pos. and neg.) |

## Test for substances that would hinder coating with paint or varnish

|               |                    |
|---------------|--------------------|
| Specification | VDMA 24364:2018-05 |
| Result        | Test passed        |

## Ambient conditions

|   |  |
|---|--|
| Max. IP code to attain                  | IP20   |
| Ambient temperature (operation)         | -40 °C ... 105 °C (depending on power dissipation) |
| Ambient temperature (storage/transport) | -40 °C ... 55 °C                                   |
| Ambient temperature (assembly)          | -5 °C ... 100 °C                                   |
| Relative humidity (storage/transport)   | 80 %   |

## PCB data

|                       |                   |
|-----------------------|-------------------|
| Number of PCB holders | 2                 |
| Type of PCB mount     | Slot              |
| Thickness of the PCB  | 1.4 mm ... 1.8 mm |

## Mounting

|               |      |
|---------------|------|
| Mounting type | Slot |
|---------------|------|

## Packaging specifications

|                      |                |
|----------------------|----------------|
| Outer packaging type | Resealable bag |
|----------------------|----------------|

# ICS20-F45S-9005 - Connection plate



1072522

<https://www.phoenixcontact.com/us/products/1072522>

## Classifications

### ECLASS

|             |          |
|-------------|----------|
| ECLASS-11.0 | 27182702 |
| ECLASS-13.0 | 27190605 |

### ETIM

|          |          |
|----------|----------|
| ETIM 9.0 | EC001031 |
|----------|----------|

### UNSPSC

|             |          |
|-------------|----------|
| UNSPSC 21.0 | 31261500 |
|-------------|----------|

# ICS20-F45S-9005 - Connection plate



1072522

<https://www.phoenixcontact.com/us/products/1072522>

## Environmental product compliance

|            |   |
|------------|---|
| China RoHS | Environmentally friendly use period: unlimited = EFUP-e<br>No hazardous substances above threshold values |
|------------|---|

Phoenix Contact 2024 © - all rights reserved  
<https://www.phoenixcontact.com>

Phoenix Contact USA  
586 Fulling Mill Road  
Middletown, PA 17057, United States  
(+717) 944-1300  
[info@phoenixcon.com](mailto:info@phoenixcon.com)