

SACB-PT-H180- 6/3-M8 HD - Connector hood



1197654

<https://www.phoenixcontact.com/us/products/1197654>

Please be informed that the data shown in this PDF document is generated from our online catalog. Please find the complete data in the user documentation. Our general terms of use for downloads are valid.



Connector hood, application: Standard, connection method: M8 socket Metal, number of slots: 6, number of positions: 3, slot assignment: single, status display: No, Universal; master cable connection: Plug-in push-in spring-cage connection 180°, shielding: no

Your advantages

- Flexible, distributed bundling of signals in one master cable

Commercial data

Item number	1197654
Packing unit	1 pc
Minimum order quantity	1 pc
Sales key	BF40
Product key	BF3BCG
GTIN	4063151257491
Weight per piece (including packing)	71.5 g
Weight per piece (excluding packing)	71 g
Customs tariff number	85444290
Country of origin	DE

SACB-PT-H180- 6/3-M8 HD - Connector hood



1197654

<https://www.phoenixcontact.com/us/products/1197654>

Technical data

Notes

General	NOTE: Observe the permissible bending radii when laying conductors, since the degree of protection may be put in jeopardy if the bending forces are too high. Alleviate mechanical loads upstream of the connector, e.g. by using cable ties.
---------	--

Product properties

Product type	Connector hood
Number of positions	3
Application	Standard
Number of slots	6

Electrical properties

Max. operating voltage U_{max}	30 V DC
Nominal voltage U_N	24 V DC
Rated current, total	8 A
Max. current carrying capacity per path	2 A
Current carrying capacity per slot	2 A

Connection data

Conductor connection

Connection method	Plug-in push-in spring-cage connection
Tightening torque, cover screw	1 Nm

Pin assignment

Slot/position = Wire color or connection	1 / 4 (A) = 1 / 4
	2 / 4 (A) = 2 / 4
	3 / 4 (A) = 3 / 4
	4 / 4 (A) = 4 / 4
	5 / 4 (A) = 5 / 4
	6 / 4 (A) = 6 / 4
	1-6 / 1 (+ 24 V) = U_N
1-6 / 3 (0 V) = 0 V	

Signaling

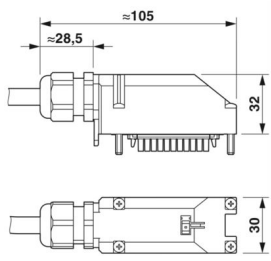
Status display present	No
------------------------	----

Dimensions

SACB-PT-H180- 6/3-M8 HD - Connector hood

1197654

<https://www.phoenixcontact.com/us/products/1197654>

Dimensional drawing	
Wrench size, union nut	24 mm
Wrench size, counter nut	24 mm

Material specifications

Material Housing	PBT
Material Cable gland	PA 6
Seal material	CR/NBR
Material of contact, master cable side	CU alloy
Material of the contact carrier on the master cable side	PA
Material of contact surface, master cable side	tin-plated

Cable/line

Connection method	Plug-in push-in spring-cage connection
-------------------	--

Environmental and real-life conditions

Ambient conditions

Degree of protection	IP67
Ambient temperature (operation)	-25 °C ... 80 °C

SACB-PT-H180- 6/3-M8 HD - Connector hood



1197654

<https://www.phoenixcontact.com/us/products/1197654>

Classifications

ECLASS

ECLASS-11.0	27440111
ECLASS-12.0	27440111
ECLASS-13.0	27440111

ETIM

ETIM 9.0	EC003558
----------	----------

UNSPSC

UNSPSC 21.0	31251500
-------------	----------

SACB-PT-H180- 6/3-M8 HD - Connector hood



1197654

<https://www.phoenixcontact.com/us/products/1197654>

Environmental product compliance

China RoHS	Environmentally friendly use period: unlimited = EFUP-e
	No hazardous substances above threshold values

Phoenix Contact 2024 © - all rights reserved
<https://www.phoenixcontact.com>

Phoenix Contact USA
586 Fulling Mill Road
Middletown, PA 17057, United States
(+717) 944-1300
info@phoenixcon.com