

SACB- 6/3-L-M16-M8 HD - Distributor box



1197413

<https://www.phoenixcontact.com/us/products/1197413>

Please be informed that the data shown in this PDF document is generated from our online catalog. Please find the complete data in the user documentation. Our general terms of use for downloads are valid.



Distributor box, application: Standard, connection method: M8 socket Metal, number of slots: 6, number of positions: 3, coding: A, slot assignment: single, status display: Yes, pnp; master cable connection: M16 plug connection 90°, shielding: no

Your advantages

- Safety in the field, thanks to molded housing and high degree of protection
- Convenient: increased machine availability thanks to quick and easy diagnostics

Commercial data

| | |
|--------------------------------------|---------------|
| Item number | 1197413 |
| Packing unit | 1 pc |
| Minimum order quantity | 1 pc |
| Sales key | BF40 |
| Product key | BF3BCB |
| GTIN | 4063151257408 |
| Weight per piece (including packing) | 118.5 g |
| Weight per piece (excluding packing) | 118 g |
| Customs tariff number | 85444290 |
| Country of origin | DE |

SACB- 6/3-L-M16-M8 HD - Distributor box



1197413

<https://www.phoenixcontact.com/us/products/1197413>

Technical data

Notes

| | |
|---------|--|
| General | NOTE: Observe the permissible bending radii when laying conductors, since the degree of protection may be put in jeopardy if the bending forces are too high. Alleviate mechanical loads upstream of the connector, e.g. by using cable ties. |
| General | Unused slots are to be sealed off prior to commissioning. Suitable sealing elements are to be found under "Accessories". |

Product properties

| | |
|---------------------|-----------------|
| Product type | Distributor box |
| Number of positions | 3 |
| Application | Standard |
| Number of slots | 6 |
| Coding | A |
| LED | yes |

System properties

Local diagnostics

| | |
|------------------------|---------------------------|
| Monitored function | Supply voltage per module |
| Optical representation | Green LED |

Electrical properties

| | |
|---|-------------------------------------|
| Max. operating voltage U_{max} | 30 V DC |
| Local diagnostics | Supply voltage per module Green LED |
| | Status display I/O Yellow LED |
| Nominal voltage U_N | 24 V DC |
| Rated current, total | 6 A |
| Max. current carrying capacity per path | 2 A |
| Current carrying capacity per slot | 2 A |

Connection data

Conductor connection

| | |
|--|-----------|
| Sensor/actuator connection system | M8 socket |
| Tightening torque slot sensor/actuator cable | 0.2 Nm |
| Tightening torque - master cable - plug connection | 1.5 Nm |
| Tightening torque of mounting screw for fixing the housing | 0.8 Nm |

Pin assignment

| | |
|--|---------------|
| Slot/position = Wire color or connection | 1 / 4 (A) = P |
| | 2 / 4 (A) = J |
| | 3 / 4 (A) = T |
| | 4 / 4 (A) = S |

SACB- 6/3-L-M16-M8 HD - Distributor box



1197413

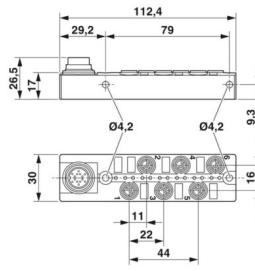
<https://www.phoenixcontact.com/us/products/1197413>

| | |
|--|------------------------|
| | 5 / 4 (A) = G |
| | 6 / 4 (A) = R |
| | 1-6 / 1 (+ 24 V) = A+M |
| | 1-6 / 3 (0 V) = L+U |

Signaling

| | |
|------------------------|-----|
| Status display present | Yes |
|------------------------|-----|

Dimensions

| | |
|---------------------|---|
| Dimensional drawing |  |
| Width | 30 mm |
| Height | 27 mm |
| Length | 112.4 mm |

Material specifications

| | |
|--|----------|
| Material Threaded sleeve | Cu alloy |
| Material Housing | PBT |
| Material Molding compound | PUR |
| Seal material O-ring | FKM |
| Contact material | CuZn |
| Contact surface material | Ni/Au |
| Contact carrier material | PBT |
| Material of contact, master cable side | CU alloy |

Cable/line

| | |
|-------------------|---------------------|
| Connection method | M16 plug connection |
|-------------------|---------------------|

Environmental and real-life conditions

Ambient conditions

| | |
|---------------------------------|------------------|
| Degree of protection | IP67 |
| Ambient temperature (operation) | -20 °C ... 80 °C |

Standards and regulations

| | |
|--------------------------|-----------------|
| Standard designation | M8 connector |
| Standards/specifications | IEC 61076-2-104 |

SACB- 6/3-L-M16-M8 HD - Distributor box



1197413

<https://www.phoenixcontact.com/us/products/1197413>

Classifications

ECLASS

| | |
|-------------|----------|
| ECLASS-11.0 | 27440111 |
| ECLASS-12.0 | 27440111 |
| ECLASS-13.0 | 27440111 |

ETIM

| | |
|----------|----------|
| ETIM 9.0 | EC003558 |
|----------|----------|

UNSPSC

| | |
|-------------|----------|
| UNSPSC 21.0 | 31251500 |
|-------------|----------|

SACB- 6/3-L-M16-M8 HD - Distributor box



1197413

<https://www.phoenixcontact.com/us/products/1197413>

Environmental product compliance

| | |
|------------|---|
| China RoHS | Environmentally friendly use period: unlimited = EFUP-e |
| | No hazardous substances above threshold values |

Phoenix Contact 2024 © - all rights reserved
<https://www.phoenixcontact.com>

Phoenix Contact USA
586 Fulling Mill Road
Middletown, PA 17057, United States
(+717) 944-1300
info@phoenixcon.com