

ICS50-TL100X12-9005 - Upper housing part



1076882

<https://www.phoenixcontact.com/us/products/1076882>

Please be informed that the data shown in this PDF document is generated from our online catalog. Please find the complete data in the user documentation. Our general terms of use for downloads are valid.

DIN rail housing, Upper part, with transparent hinged cover, width: 50.1 mm, height: 101 mm, depth: 14.35 mm, color: black (similar RAL 9005)



Your advantages

- Flexible use, thanks to the modular system and unique modularity in the connection technology
- Standardized connections such as RJ45, USB, D-SUB and antenna sockets as components that can be integrated
- Optimal space utilization, as well as adaptability of design, colors, and printing
- Eight-position DIN rail connectors with parallel and up to two serial contacts for easy module-to-module communication

Commercial data

| | |
|--------------------------------------|---------------|
| Item number | 1076882 |
| Packing unit | 10 pc |
| Minimum order quantity | 10 pc |
| Sales key | AC09 |
| Product key | ACHAEC |
| GTIN | 4055626787404 |
| Weight per piece (including packing) | 27.432 g |
| Weight per piece (excluding packing) | 18.7 g |
| Customs tariff number | 85389099 |
| Country of origin | DE |

ICS50-TL100X12-9005 - Upper housing part

1076882

<https://www.phoenixcontact.com/us/products/1076882>

Technical data

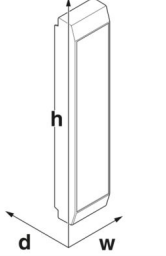
Notes

| | |
|---------|---|
| General | Refer to the data sheet for the range in the download area. |
|---------|---|

Product properties

| | |
|------------------------------|---|
| Product type | Upper housing part |
| Housing series | ICS |
| Product family | ICS50-..100X.. |
| Type | Upper part, with transparent hinged cover |
| Housing type | DIN rail housing |
| Ventilation openings present | no |

Dimensions

| | |
|---------------------|---|
| Dimensional drawing |  |
| Width | 50.1 mm |
| Height | 101 mm |
| Depth | 14.35 mm |

PCB design

| | |
|---------------|-------------------|
| PCB thickness | 1.4 mm ... 1.8 mm |
|---------------|-------------------|

Material specifications

| | |
|--|------------------|
| Color (Upper housing part) | black (RAL 9005) |
| Color (Housing cover) | transparent |
| Flammability rating according to UL 94 | V0 |
| CTI according to IEC 60112 | 600 |
| Surface characteristics | untreated |
| Housing material | Polyamide |

Environmental and real-life conditions

Vibration test

| | |
|---------------|-----------------------------|
| Specification | IEC 60068-2-6:2007-12 |
| Frequency | 10 - 150 - 10 Hz |
| Sweep speed | 1 octave/min |
| Amplitude | 0.15 mm (10 Hz ... 58.1 Hz) |

ICS50-TL100X12-9005 - Upper housing part



1076882

<https://www.phoenixcontact.com/us/products/1076882>

| | |
|------------------------|-------------------------|
| Acceleration | 2g (58.1 Hz ... 150 Hz) |
| Test duration per axis | 2.5 h |
| Test directions | X-, Y- and Z-axis |

Glow-wire test

| | |
|------------------|------------------------|
| Specification | IEC 60695-2-11:2014-02 |
| Temperature | 850 °C |
| Time of exposure | 30 s |

Thermal stability / ball thrust test

| | |
|---------------|------------------------|
| Specification | IEC 60695-10-2:2014-02 |
| Temperature | 125 °C |
| Test duration | 1 h |
| Force | 20 N |

Mechanical strength / tumbling barrel

| | |
|----------------|------------------------|
| Specification | IEC 60068-2-31:2008-05 |
| Height of fall | 50 cm |
| Frequency | 50 |

Shocks

| | |
|--------------------------------|-----------------------------------|
| Specification | IEC 60068-2-27:2008-02 |
| Pulse shape | Semi-sinusoidal |
| Acceleration | 15g |
| Shock duration | 11 ms |
| Number of shocks per direction | 3 |
| Test directions | X-, Y- and Z-axis (pos. and neg.) |

Test for substances that would hinder coating with paint or varnish

| | |
|---------------|--------------------|
| Specification | VDMA 24364:2018-05 |
| Result | Test passed |

Degree of protection (IP code)

| | |
|---------------------------------------|---|
| Specification | IEC 60529:1989-11 + AMD 1:1999-11 + AMD 2:2013-08 |
| Result, degree of protection, IP code | IP20 |

Protection against electric shock

| | |
|---|---|
| Specification | IEC 60998-1:2002-12 |
| Requirements, protection against electric shock | It must not be possible to touch any conductive part with the IEC test finger and a test force of 10 N. |

Ambient conditions

| | |
|---|--|
| Max. IP code to attain | IP20 |
| Ambient temperature (operation) | -40 °C ... 105 °C (depending on power dissipation) |
| Ambient temperature (storage/transport) | -40 °C ... 55 °C |
| Ambient temperature (assembly) | -5 °C ... 100 °C |
| Relative humidity (storage/transport) | 80 % |

ICS50-TL100X12-9005 - Upper housing part



1076882

<https://www.phoenixcontact.com/us/products/1076882>

PCB data

| | |
|-----------------------|-------------------|
| Number of PCB holders | 4 |
| Type of PCB mount | Slot |
| Thickness of the PCB | 1.4 mm ... 1.8 mm |

Mounting

| | |
|-------------------|--------------------------------|
| Mounting type | Snap in |
| Mounting position | Vertical (horizontal DIN rail) |

Packaging specifications

| | |
|----------------------|---------------------|
| Type of packaging | packed in cardboard |
| Outer packaging type | Carton |

ICS50-TL100X12-9005 - Upper housing part



1076882

<https://www.phoenixcontact.com/us/products/1076882>

Classifications

ECLASS

| | |
|-------------|----------|
| ECLASS-11.0 | 27182702 |
| ECLASS-13.0 | 27190603 |

ETIM

| | |
|----------|----------|
| ETIM 9.0 | EC001031 |
|----------|----------|

UNSPSC

| | |
|-------------|----------|
| UNSPSC 21.0 | 31261500 |
|-------------|----------|

ICS50-TL100X12-9005 - Upper housing part



1076882

<https://www.phoenixcontact.com/us/products/1076882>

Environmental product compliance

| | |
|------------|---|
| China RoHS | Environmentally friendly use period: unlimited = EFUP-e No hazardous substances above threshold values |
|------------|---|

Phoenix Contact 2024 © - all rights reserved
<https://www.phoenixcontact.com>

Phoenix Contact USA
586 Fulling Mill Road
Middletown, PA 17057, United States
(+717) 944-1300
info@phoenixcon.com