

# ICS25-C122X12-5015 - Upper housing part

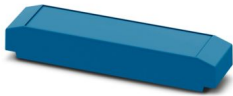


1072375

<https://www.phoenixcontact.com/us/products/1072375>

Please be informed that the data shown in this PDF document is generated from our online catalog. Please find the complete data in the user documentation. Our general terms of use for downloads are valid.

DIN rail housing, Upper part, closed, width: 25 mm, height: 122.5 mm, depth: 14.35 mm, color: blue (similar RAL 5015)



## Your advantages

- Flexible use, thanks to the modular system and unique modularity in the connection technology
- Standardized connections such as RJ45, USB, D-SUB and antenna sockets as components that can be integrated
- Optimal space utilization, as well as adaptability of design, colors, and printing
- Eight-position DIN rail connectors with parallel and up to two serial contacts for easy module-to-module communication

## Commercial data

|                                      |                                |
|--------------------------------------|--------------------------------|
| Item number                          | 1072375                        |
| Packing unit                         | 10 pc                          |
| Minimum order quantity               | 10 pc                          |
| Note                                 | Made to order (non-returnable) |
| Product key                          | ACHAED                         |
| GTIN                                 | 4055626764535                  |
| Weight per piece (including packing) | 10.814 g                       |
| Weight per piece (excluding packing) | 8.5 g                          |
| Country of origin                    | DE                             |

# ICS25-C122X12-5015 - Upper housing part

1072375

<https://www.phoenixcontact.com/us/products/1072375>

## Technical data

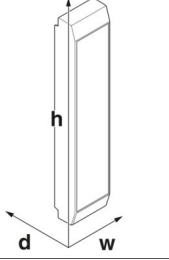
### Notes

|         |   |
|---------|---|
| General | Refer to the data sheet for the range in the download area. |
|---------|---|

### Product properties

|                              |                    |
|------------------------------|--------------------|
| Product type                 | Upper housing part |
| Housing series               | ICS                |
| Product family               | ICS25-..122X..     |
| Type                         | Upper part, closed |
| Housing type                 | DIN rail housing   |
| Ventilation openings present | no                 |

### Dimensions

|                     |   |
|---------------------|---|
| Dimensional drawing |  |
| Width               | 25 mm   |
| Height              | 122.5 mm  |
| Depth               | 14.35 mm  |

### PCB design

|               |                   |
|---------------|-------------------|
| PCB thickness | 1.4 mm ... 1.5 mm |
|---------------|-------------------|

### Material specifications

|  |                 |
|--|-----------------|
| Color (Housing)                        | blue (RAL 5015) |
| Flammability rating according to UL 94 | V0              |
| CTI according to IEC 60112             | 600             |
| Surface characteristics                | untreated       |
| Housing material                       | Polyamide       |

### Environmental and real-life conditions

#### Vibration test

|               |                             |
|---------------|-----------------------------|
| Specification | IEC 60068-2-6:2007-12       |
| Frequency     | 10 - 150 - 10 Hz            |
| Sweep speed   | 1 octave/min                |
| Amplitude     | 0.15 mm (10 Hz ... 58.1 Hz) |
| Acceleration  | 2g (58.1 Hz ... 150 Hz)     |

# ICS25-C122X12-5015 - Upper housing part



1072375

<https://www.phoenixcontact.com/us/products/1072375>

|                        |                   |
|------------------------|-------------------|
| Test duration per axis | 2.5 h             |
| Test directions        | X-, Y- and Z-axis |

## Glow-wire test

|                  |                        |
|------------------|------------------------|
| Specification    | IEC 60695-2-11:2014-02 |
| Temperature      | 850 °C                 |
| Time of exposure | 30 s                   |

## Thermal stability / ball thrust test

|               |                        |
|---------------|------------------------|
| Specification | IEC 60695-10-2:2014-02 |
| Temperature   | 125 °C                 |
| Test duration | 1 h                    |
| Force         | 20 N                   |

## Mechanical strength / tumbling barrel

|                |                        |
|----------------|------------------------|
| Specification  | IEC 60068-2-31:2008-05 |
| Height of fall | 50 cm                  |
| Frequency      | 50                     |

## Shocks

|                                |                                   |
|--------------------------------|-----------------------------------|
| Specification                  | IEC 60068-2-27:2008-02            |
| Pulse shape                    | Semi-sinusoidal                   |
| Acceleration                   | 15g                               |
| Shock duration                 | 11 ms                             |
| Number of shocks per direction | 3                                 |
| Test directions                | X-, Y- and Z-axis (pos. and neg.) |

## Test for substances that would hinder coating with paint or varnish

|               |                    |
|---------------|--------------------|
| Specification | VDMA 24364:2018-05 |
| Result        | Test passed        |

## Degree of protection (IP code)

|                                       |   |
|---------------------------------------|---|
| Specification                         | IEC 60529:1989-11 + AMD 1:1999-11 + AMD 2:2013-08 |
| Result, degree of protection, IP code | IP20  |

## Ambient conditions

|   |  |
|---|--|
| Max. IP code to attain                  | IP20   |
| Ambient temperature (operation)         | -40 °C ... 105 °C (depending on power dissipation) |
| Ambient temperature (storage/transport) | -40 °C ... 55 °C                                   |
| Ambient temperature (assembly)          | -5 °C ... 100 °C                                   |
| Relative humidity (storage/transport)   | 80 %   |

## PCB data

|                       |                   |
|-----------------------|-------------------|
| Number of PCB holders | 2                 |
| Type of PCB mount     | Slot              |
| Thickness of the PCB  | 1.4 mm ... 1.5 mm |

# ICS25-C122X12-5015 - Upper housing part



1072375

<https://www.phoenixcontact.com/us/products/1072375>

## Mounting

|                   |                                |
|-------------------|--------------------------------|
| Mounting type     | Snap in                        |
| Mounting position | Vertical (horizontal DIN rail) |

## Packaging specifications

|                      |                     |
|----------------------|---------------------|
| Type of packaging    | packed in cardboard |
| Outer packaging type | Carton              |

# ICS25-C122X12-5015 - Upper housing part



1072375

<https://www.phoenixcontact.com/us/products/1072375>

## Classifications

### ECLASS

|             |          |
|-------------|----------|
| ECLASS-11.0 | 27182702 |
| ECLASS-13.0 | 27190603 |

### ETIM

|          |          |
|----------|----------|
| ETIM 9.0 | EC001031 |
|----------|----------|

### UNSPSC

|             |          |
|-------------|----------|
| UNSPSC 21.0 | 31261500 |
|-------------|----------|

# ICS25-C122X12-5015 - Upper housing part



1072375

<https://www.phoenixcontact.com/us/products/1072375>

## Environmental product compliance

|            |   |
|------------|---|
| China RoHS | Environmentally friendly use period: unlimited = EFUP-e |
|            | No hazardous substances above threshold values          |

Phoenix Contact 2024 © - all rights reserved  
<https://www.phoenixcontact.com>

Phoenix Contact USA  
586 Fulling Mill Road  
Middletown, PA 17057, United States  
(+717) 944-1300  
[info@phoenixcon.com](mailto:info@phoenixcon.com)